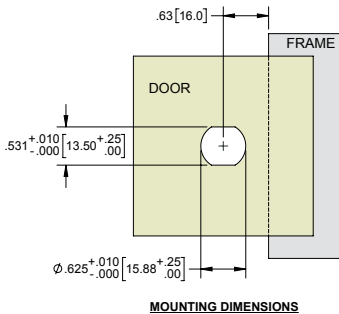


Small Compression Latches

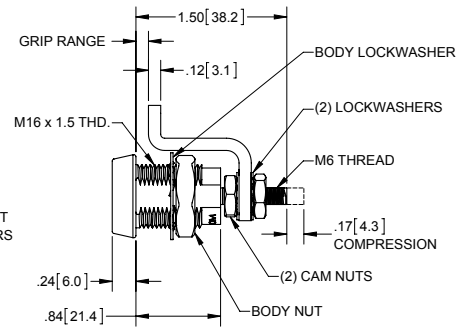
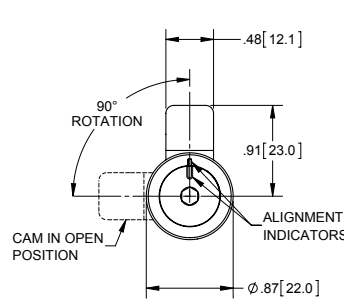
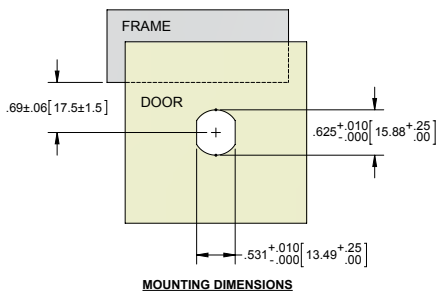


Grip Range		Part Number				
Min.	Max.	Recessed Hex	Thumb Turn	Slotted	Recessed Tubular	Hex Socket
.13 [3.2]	.25 [6.4]	3-10BK01	3-11BK01	3-12BK01	3-13BK01	3-14BK01
.25 [6.4]	.38 [9.5]	3-10BK02	3-11BK02	3-12BK02	3-13BK02	3-14BK02
.38 [9.5]	.50 [12.7]	3-10BK03	3-11BK03	3-12BK03	3-13BK03	3-14BK03
.50 [12.7]	.63 [15.9]	3-10BK04	3-11BK04	3-12BK04	3-13BK04	3-14BK04
.63 [15.9]	.75 [19.0]	3-10BK05	3-11BK05	3-12BK05	3-13BK05	3-14BK05
.75 [19.0]	.88 [22.2]	3-10BK06	3-11BK06	3-12BK06	3-13BK06	3-14BK06
.88 [22.2]	1.00 [25.4]	3-10BK07	3-11BK07	3-12BK07	3-13BK07	3-14BK07
1.00 [25.4]	1.13 [28.6]	3-10BK08	3-11BK08	3-12BK08	3-13BK08	3-14BK08



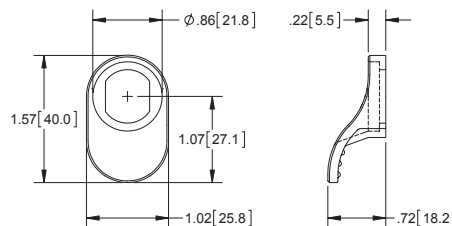
- ▶ includes:
 - ▶ (1) body lock washer
 - ▶ (1) body mounting nut
 - ▶ (1) cam
 - ▶ (2) cam lock washers
 - ▶ (2) cam mounting nuts
- ▶ die cast zinc
- ▶ finish: black powder coated
- ▶ grip range shown is in locked position
- ▶ achieves NEMA type 4, 12 and IP65 when used with **K04G** gasket (sold separately)

- ▶ **NOTE:** standard 5/32" or 4mm Allen wrench hex tool to be used for the **recessed hex lock**
- ▶ **NOTE:** standard thin wall 5/16" or 8mm hex socket tool to be used for the **hex socket lock**.



Key for Recessed Tubular Lock

Part Number	Material	Finish
3-13K	steel	nickel plated



Black Finger Pulls

Part Number	Description	Material
KH37BK	in-line	black nylon
KH37BK-01	perpendicular	black nylon

▶ textured finish