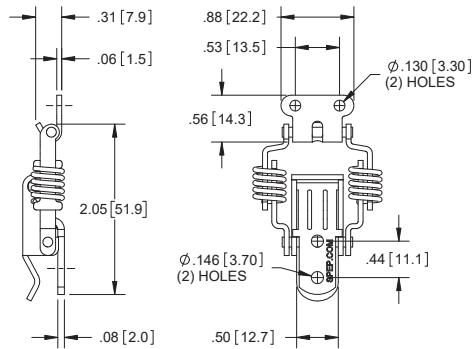
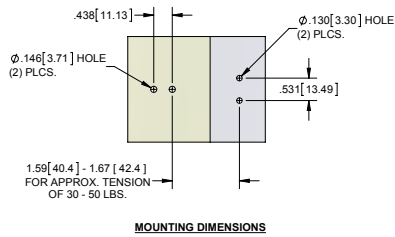


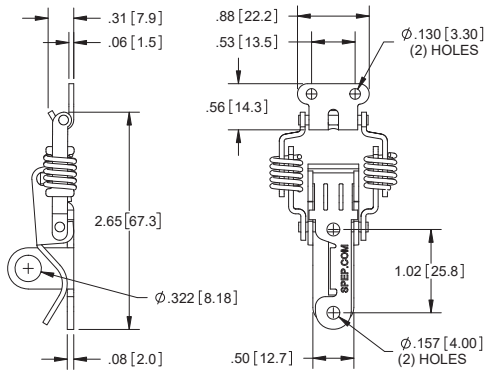
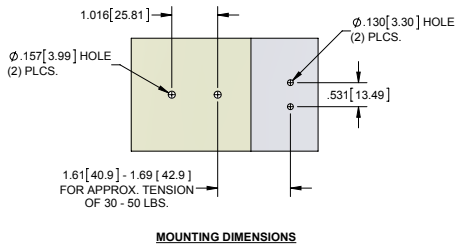
Small Compression Pull Down Catch and Keeper

Part Number	Material	Finish
2053ZN	steel	zinc plated
2053SS	304SS	electropolished



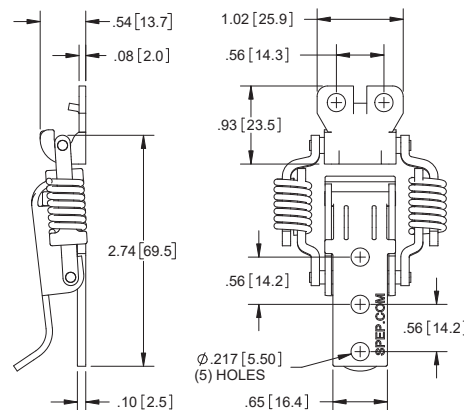
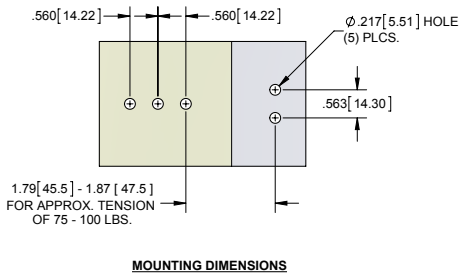
Small Compression Pull Down Catch with Padlock Eye and Keeper

Part Number	Material	Finish
2054ZN	steel	zinc plated
2054SS	304SS	electropolished



Large Compression Pull Down Catch and Keeper

Part Number	Material	Finish
2055ZN	steel	zinc plated
2055SS	304SS	electropolished



Spring Loaded Draw Pull Latch with Safety Catch

Part Number	Material	Finish
2064SS	304SS	passivated

- ▶ built-in safety catch
- ▶ spring loaded

