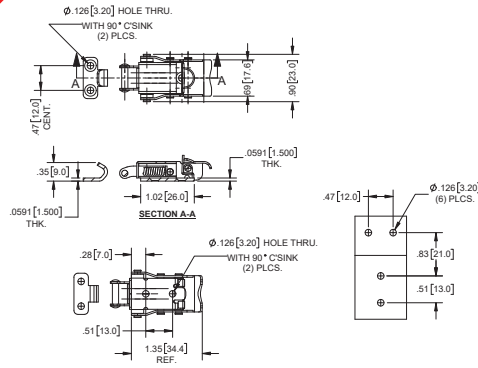
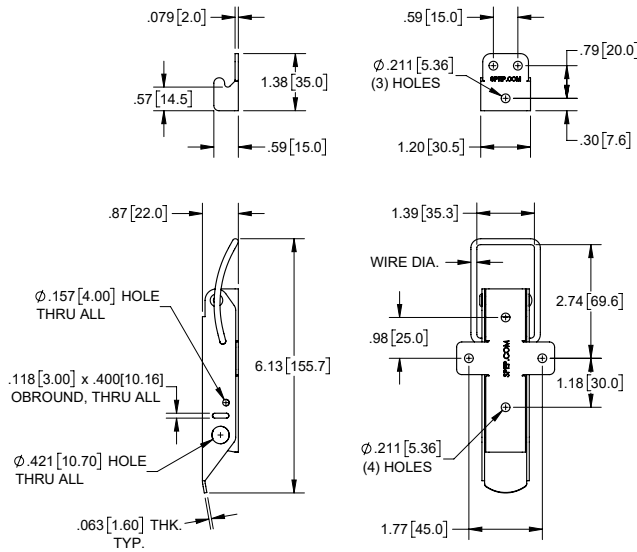


Small Tension Latch



Part Number	Material	Finish
2059SS	304SS	barrel polished

Pull Down Latches with Spring Loop Wire Bail



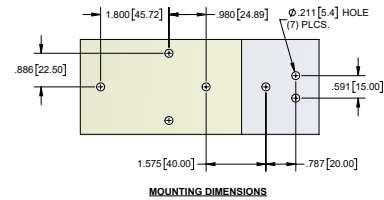
Part Number	Wire Dia.	Mounting Holes	Material	Finish
2139ZN-L	$\phi .143 [3.63]$	yes	steel	zinc plated
2139ZN-L10	$\phi .197 [5.00]$	yes	steel	zinc plated

- ▶ may be sealed by wire to prevent unlatching
- ▶ accepts 3/8" padlock

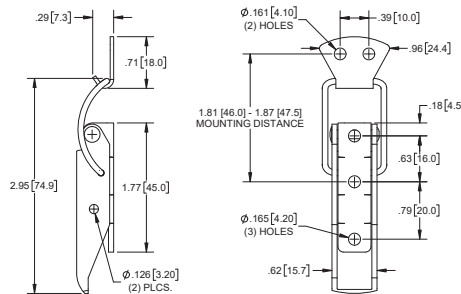
Latches

Keeper

Part Number	Mounting Holes	Material	Finish
2139ZN-S	yes	steel	zinc plated



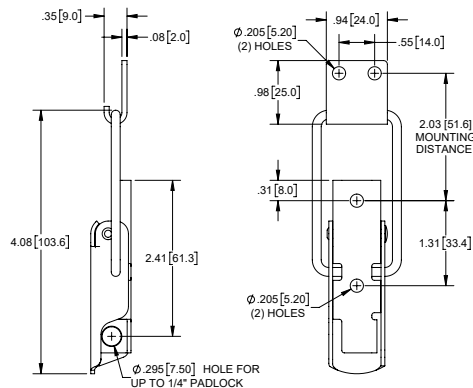
Draw Pull Latch with Keeper



Part Number	Material	Finish
2062SS	304SS	polished

- ▶ may be sealed by wire to prevent unlatching

Draw Pull Latch with Padlocking Option



Part Number	Material	Finish
2063SS	304SS	tumbled

- ▶ working load: 170lbs.
- ▶ accepts up to 1/4" padlock