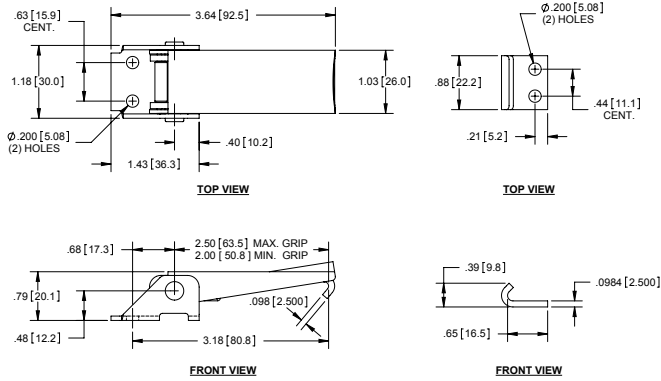


Medium Adjustable Under Center Latch with Keeper

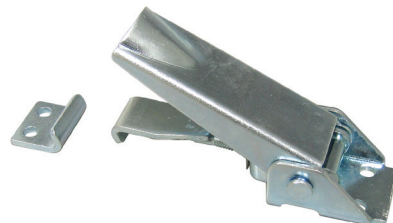


Part Number	Material	Finish
2172SS	300 series stainless steel	electropolished

- ▶ working load: 600 lbs.
- ▶ latch and keeper surfaces must be on the same plane

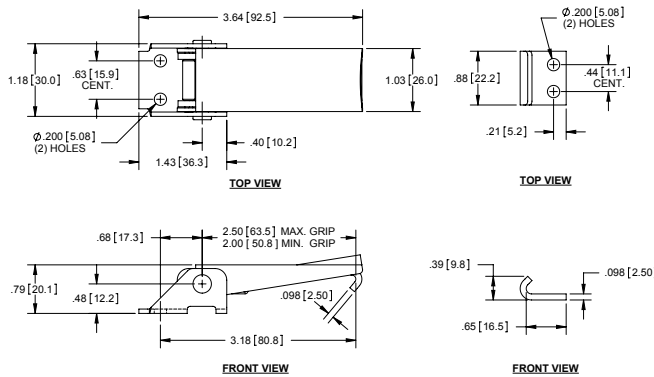


Medium Adjustable Under Center Latch with Keeper



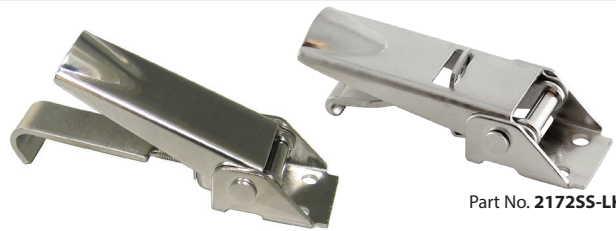
Part Number	Description	Material	Finish
2172ZN-01	latch & keeper	steel	zinc plated
NEW 2172ZN-K	keeper	steel	zinc plated

- ▶ working load: 500 lbs.
- ▶ latch and keeper surfaces must be on the same plane



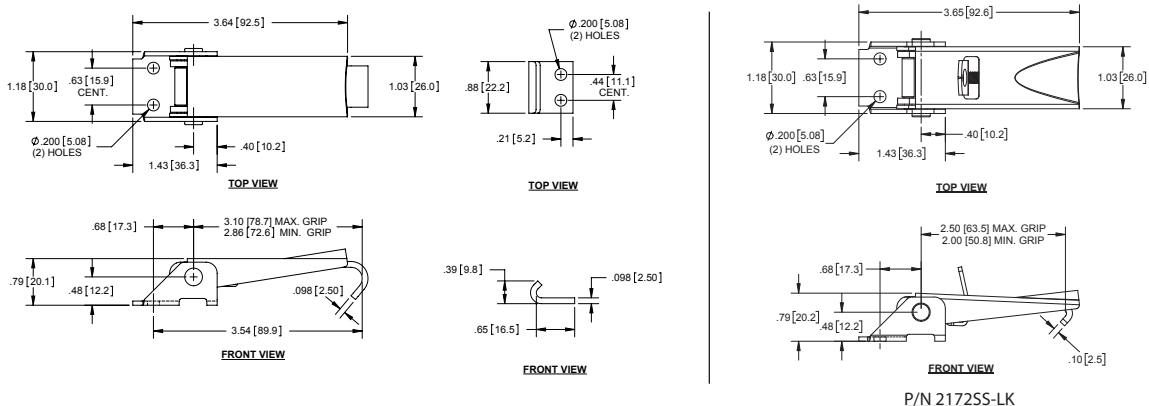
Medium Adjustable Under Center Latches

316SS



Part Number	Description	Material	Finish
2172SS-L01	latch	300 series stainless steel	electropolished
2172SS-T-L01	latch	316SS	electropolished
NEW 2172SS-LK	padlockable latch	300 series stainless steel	electropolished
2172SS-K	keeper	304SS	electropolished

- ▶ working load: 600 lbs.
- ▶ latch and keeper surfaces must be on the same plane
- ▶ keeper details are the same as part number 2172SS shown above



P/N 2172SS-LK