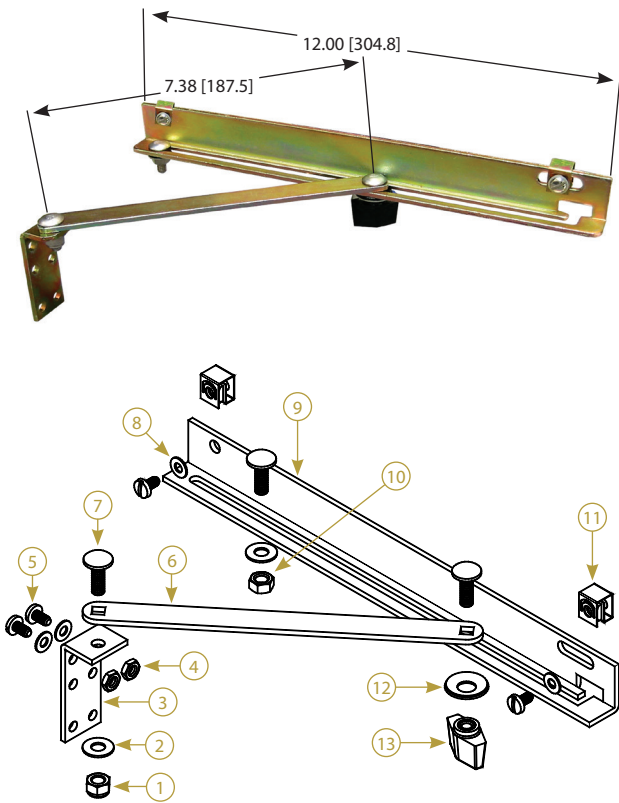


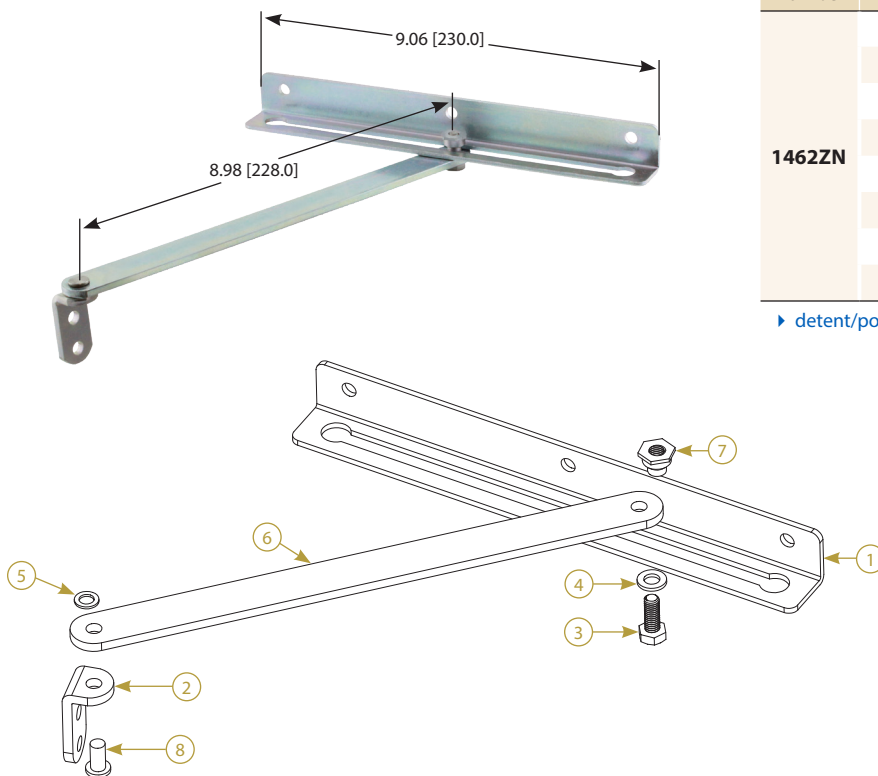
Door Stop Kit



Part Number	Item	Description	Material	Finish	Qty.
1460ZN	1	1/4-20 nylon lock insert washer	18-8SS	mill	1
	2	1/4" x .63 [15.9] OD x .039 [1.00] washer	304SS	deburred	2
	3	door bracket	steel	zinc plated	1
	4	10-32 hex nut	18-8SS	mill	2
	5	10-32 x .38 [9.5] SPM screw	18-8SS	mill	4
	6	stop arm	steel	zinc plated	1
	7	1/4-20 .75 [19.1] carriage bolt	18-8SS	mill	3
	8	#10 x .44 [11.1] OD x .032 [.80] washer	nylon	natural	4
	9	mounting bracket	steel	zinc plated	1
	10	1/4-20 hex washer	18-8SS	mill	1
	11	clip nut	steel	zinc plated	2
	12	sealing washer	18-8SS / neoprene	deburred / black	1
	13	wing knob	phenolic	black	1

▶ lock in any position with finger turn wing knob

Steel Door Stop



Part Number	Item	Description	Material	Finish	Qty.
1462ZN	1	base hasp	steel	zinc plated	1
	2	mounting bracket	steel	zinc plated	1
	3	M6 x 1.0 cap screw	steel	zinc plated	1
	4	large washer	steel	zinc plated	1
	5	small washer	steel	zinc plated	1
	6	rotating hasp	steel	zinc plated	1
	7	bolt	steel	zinc plated	1
	8	pin	steel	zinc plated	1

▶ detent/pop-up feature locks position at end