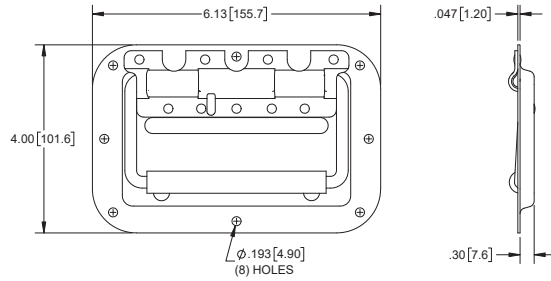
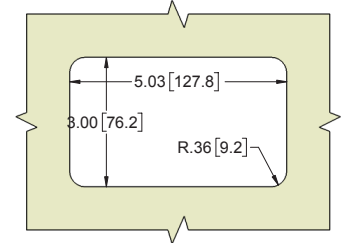


Medium Recessed Handles



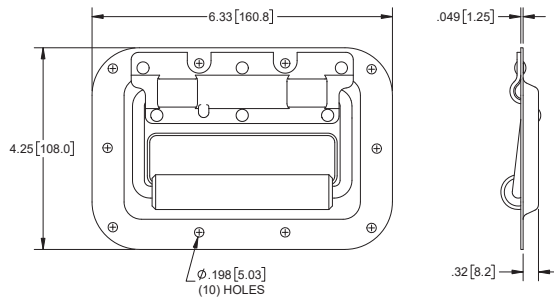
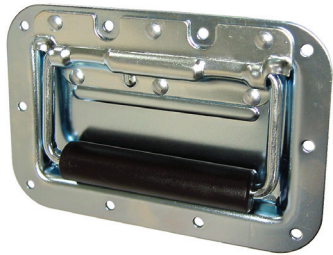
Part Number	Material	Finish
26	steel	zinc plated
26-10BK	steel	black powder coated

- ▶ spring loaded bail
- ▶ black rubber grip



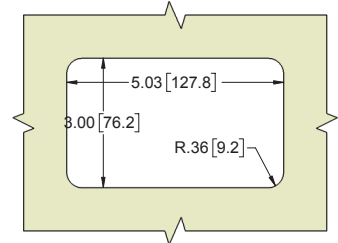
MOUNTING DIMENSIONS

Medium Recessed Handle



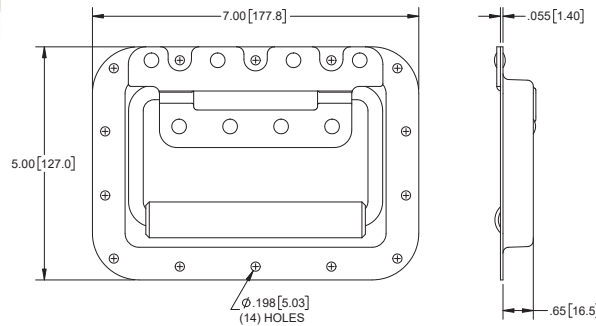
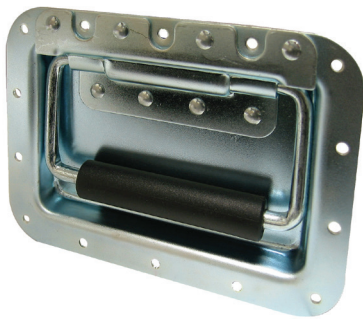
Part Number	Material	Finish
27	steel	zinc plated

- ▶ spring loaded bail
- ▶ black rubber grip



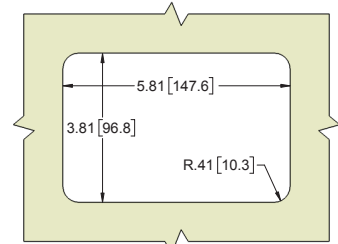
MOUNTING DIMENSIONS

Large Recessed Handles



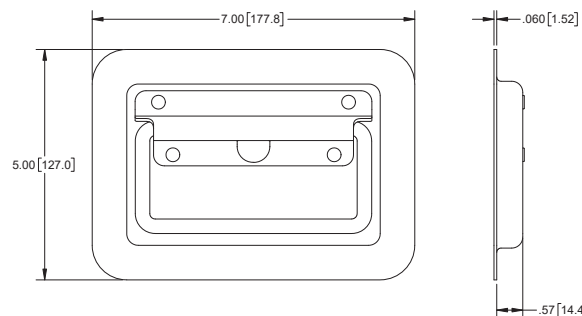
Part Number	Material	Finish
28	steel	zinc plated
28-10BK	steel	black powder coated

- ▶ spring loaded bail
- ▶ black rubber grip



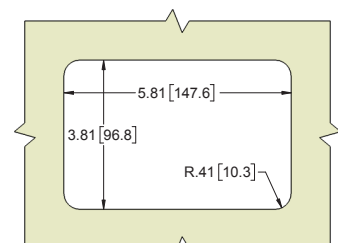
MOUNTING DIMENSIONS

Large Recessed Handle



Part Number	Material	Finish
28-50A	aluminum	mill

- ▶ spring loaded bail



MOUNTING DIMENSIONS