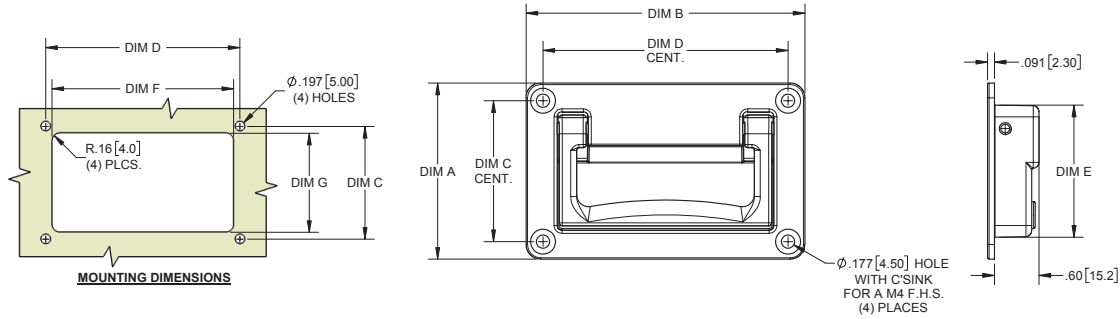
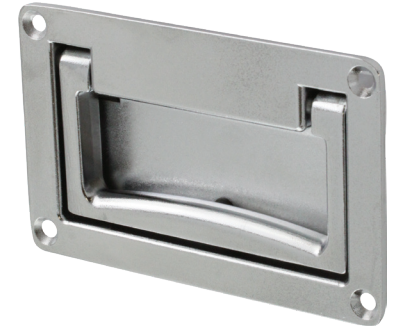


## Recessed Handles

Part Number	Dim A	Dim B	Dim C	Dim D	Dim E	Mounting	
						Dim F	Dim G
<b>32CH</b>	2.74 [69.5]	4.37 [111.0]	2.283 [58.00]	3.937 [100.00]	2.05 [52.0]	3.68 [93.5]	2.05 [52.0]
<b>32CH01</b>	2.36 [60.0]	3.74 [95.0]	1.889 [48.00]	3.287 [83.50]	1.79 [45.5]	3.11 [79.0]	1.79 [45.5]

- ▶ material: die cast zinc
- ▶ finish: textured chrome plated
- ▶ handle snaps into flush or raised position with internal detent



## Recessed Handle

Part Number	Material	Finish	
		Pan	Handle
<b>31BK</b>	die cast zinc	black powder coated	grey painted

