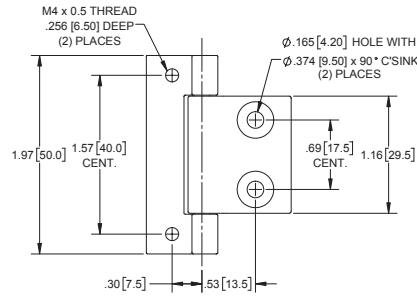
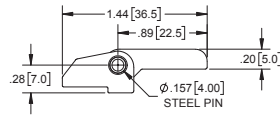


### Die Cast Zinc Strap Hinge

Part No.	Material	Finish
<b>H2248BK</b>	die cast zinc	black powder coated

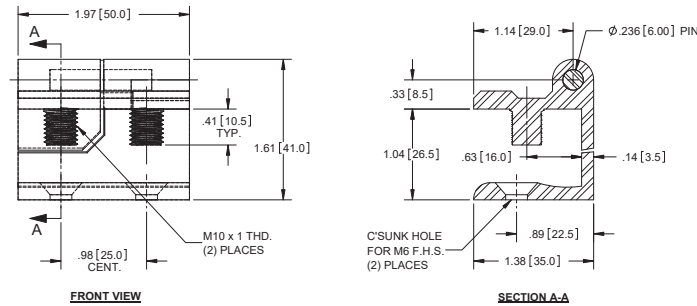
▶ steel, nickel plated pin



### Cast Right Hand Lift-off Hinge with Threaded Studs

Part Number	Material	Finish
<b>H2070RH</b>	die cast zinc	black powder coated

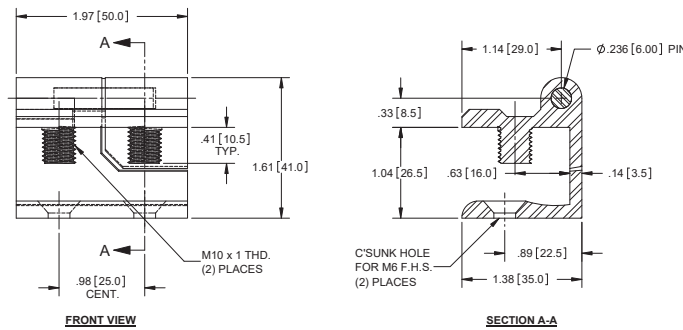
▶ brass bushing  
▶ steel, nickel plated pin



### Cast Left Hand Lift-off Hinge with Threaded Studs

Part Number	Material	Finish
<b>H2070LH</b>	die cast zinc	black powder coated

▶ brass bushing  
▶ steel, nickel plated pin



### Cast Take-apart Enclosure Hinges

Part No.	Material	Door	Dim. A
<b>H2089</b>	die cast zinc	1.5-2mm thick	5mm
<b>H2089-01</b>	die cast zinc	2.5-3.2mm thick	6mm

▶ finish: black powder coated leaves  
▶ steel, zinc plated pin

