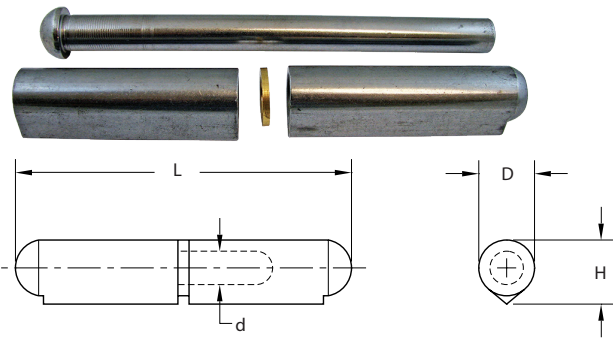
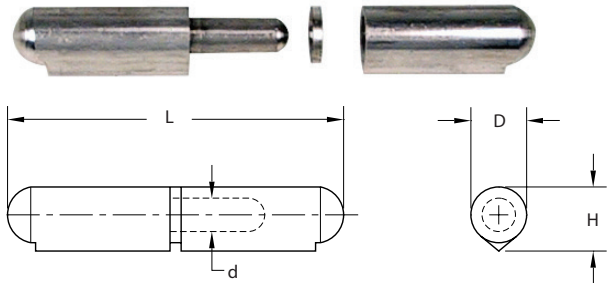


Steel Body, Removable Steel Pin, Brass Bushing



Part Number	Length (L)	Body Dia. (D)	Thickness (H)	Pin Dia. (d)
W110-03	1.97 [50]	.31 [8]	.37 [9.6]	.20 [5]
W140-03	3.15 [80]	.51 [13]	.61 [15.4]	.31 [8]
W160-03	3.94 [100]	.63 [16]	.77 [19.5]	.39 [10]
W190-03	5.91 [150]	.79 [20]	.99 [25.2]	.50 [13]
W210-03	7.87 [200]	.91 [23]	1.11 [28.3]	.63 [16]

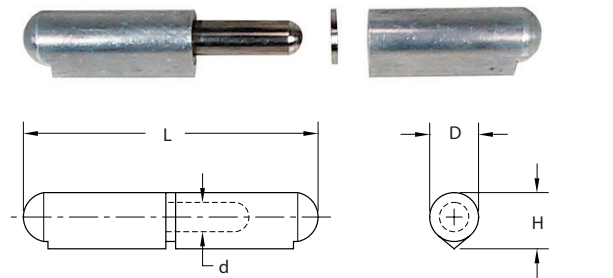
Stainless Steel Body, Fixed Stainless Steel Pin, Stainless Steel Bushing



DUE TO TIGHT FIT TOLERANCES, WE DO NOT RECOMMEND SEPARATING PAIRED MALE & FEMALE ASSEMBLIES AS SUPPLIED. SOME MALE BARRELS MAY NOT FIT WITH OTHER FEMALE BARRELS.

Part Number	Length (L)	Body Dia. (D)	Thickness (H)	Pin Dia. (d)
W100-10	1.57 [40]	.31 [8]	.37 [9.6]	.20 [5]
W110-10	1.97 [50]	.31 [8]	.37 [9.6]	.20 [5]
W120-10	2.36 [60]	.39 [10]	.47 [12]	.24 [6]
W130-10	2.76 [70]	.45 [11.5]	.52 [13.2]	.24 [6]
W140-10	3.15 [80]	.51 [13]	.61 [15.4]	.31 [8]
W160-10	3.94 [100]	.63 [16]	.77 [19.5]	.39 [10]
W170-10	4.72 [120]	.63 [16]	.77 [19.5]	.39 [10]
W180-10	5.31 [135]	.71 [18]	.90 [22.9]	.50 [13]
W190-10	5.91 [150]	.79 [20]	.99 [25.2]	.50 [13]
W210-10	7.87 [200]	.91 [23]	1.11 [28.3]	.63 [16]

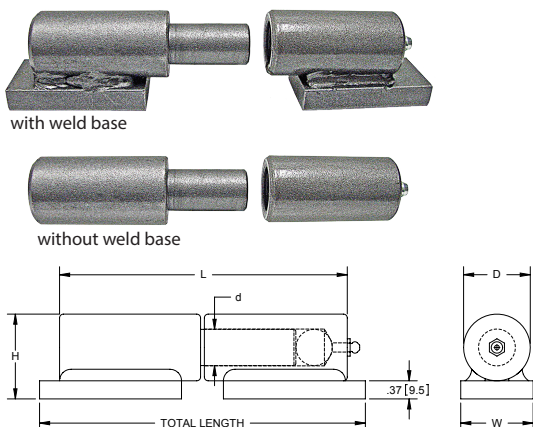
Aluminum Body, Fixed Stainless Steel Pin, Stainless Steel Bushing



DUE TO TIGHT FIT TOLERANCES, WE DO NOT RECOMMEND SEPARATING PAIRED MALE & FEMALE ASSEMBLIES AS SUPPLIED. SOME MALE BARRELS MAY NOT FIT WITH OTHER FEMALE BARRELS.

Part Number	Length (L)	Body Dia. (D)	Thickness (H)	Pin Dia. (d)
W100-20	1.57 [40]	.31 [8]	.37 [9.6]	.20 [5]
W110-20	1.97 [50]	.31 [8]	.37 [9.6]	.20 [5]
W120-20	2.36 [60]	.39 [10]	.47 [12]	.24 [6]
W130-20	2.76 [70]	.45 [11.5]	.52 [13.2]	.24 [6]
W140-20	3.15 [80]	.51 [13]	.61 [15.4]	.31 [8]
W160-20	3.94 [100]	.63 [16]	.77 [19.5]	.39 [10]
W180-20	5.31 [135]	.71 [18]	.90 [22.9]	.50 [13]
W190-20	5.91 [150]	.79 [20]	.99 [25.2]	.50 [13]
W200-20	7.09 [180]	.79 [20]	.99 [25.2]	.50 [13]
W210-20	7.87 [200]	.91 [23]	1.11 [28.3]	.63 [16]

Steel Body, Fixed Steel Pin with Grease Fitting



Part Number	Length (L)	Body Dia. (D)	Pin Dia. (d)	Height (H)	Width (W)	Total Length
W432	4.09 [103.9]	.98 [24.9]	.63 [16.0]	1.36 [34.5]	1.06 [26.9]	4.92 [125.0]
NEW W432-01	4.09 [103.9]	.98 [24.9]	.63 [16.0]	without weld base		
W431	5.94 [150.9]	1.38 [35.1]	.75 [19.1]	1.75 [44.5]	1.50 [38.10]	6.73 [170.9]
NEW W431-01	5.94 [150.9]	1.38 [35.1]	.75 [19.1]	without weld base		

- ▶ finish: clear coated
- ▶ includes:
 - ▶ 1/4" grease fitting
 - ▶ chrome plated hardened steel ball bearing
 - ▶ high temperature lithium grease