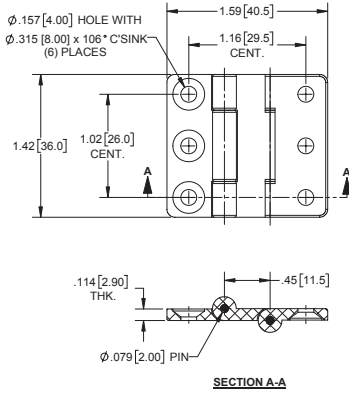


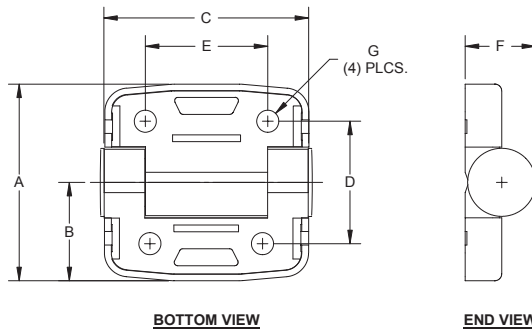
Plastic Hinge with Double Pin Construction



| Part No. | Material | Finish |
|----------|----------|--------|
| H2284WTP | plastic | white |

- ▶ steel, zinc plated pins
- ▶ double hinged

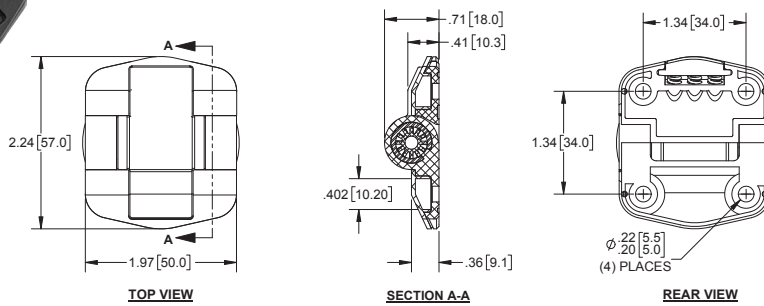
Plastic Hinges with Screw Covers



| Part No. | A | B | C | D | E | F | G |
|-----------|-------------|-------------|-------------|-------------|-------------|------------|--------------------|
| H2232P-01 | 2.28 [58.0] | 1.14 [29.0] | 2.36 [60.0] | 1.42 [36.0] | 1.42 [36.0] | .82 [20.8] | $\phi .256 [6.50]$ |
| H2232P-02 | 1.61 [41.0] | .81 [20.5] | 1.69 [43.0] | .98 [25.0] | .95 [24.0] | .57 [14.5] | $\phi .177 [4.50]$ |

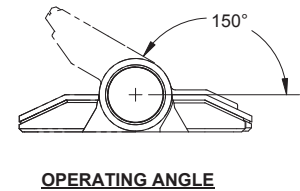
- ▶ material: plastic
- ▶ finish: black

Plastic Door Positioning Hinge

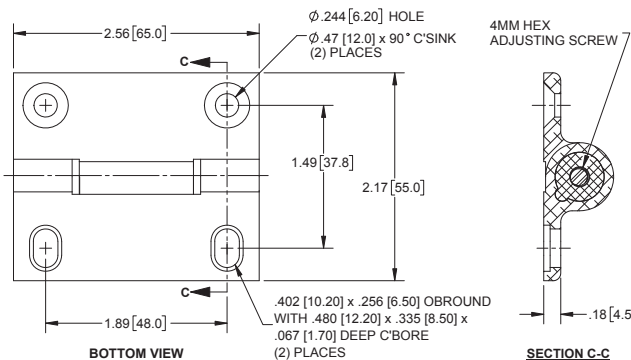


| Part Number | Material | Finish | Pin |
|-------------|----------|----------------|--------------------|
| H2231P | plastic | black textured | steel, zinc plated |

- ▶ holds door open at 150° and 180°



Aluminum Adjustable Friction Hinge



| Part Number | Material | Finish |
|-------------|----------|---------|
| H2217 | aluminum | brushed |

- ▶ 304SS adjusting screw