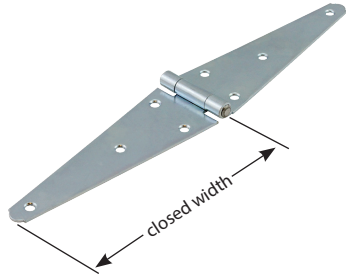


Steel, Zinc Plated Strap Hinges



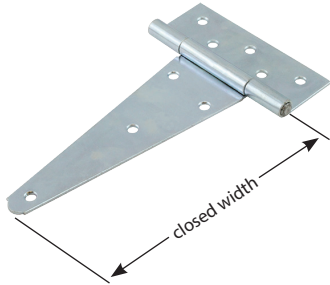
Heavy Strap Hinges

Part Number	Closed Width	Material Thickness	No. of Holes	Screw Size
HSH4091	4.00 [101.6]	.091 [2.30]	6	#8
HSH5091	5.00 [127.0]	.091 [2.30]	8	#10
HSH6091	5.80 [147.3]	.091 [2.30]	8	#10
HSH8118	8.06 [204.7]	.102 [2.59]	8	#10

Light Strap Hinges

Part Number	Closed Width	Material Thickness	No. of Holes	Screw Size
LSH2055	2.00 [50.8]	.055 [1.40]	6	#5
LSH3055	2.94 [74.7]	.055 [1.40]	6	#5
LSH4055	3.88 [98.6]	.055 [1.40]	6	#6
LSH4160	4.04 [102.5]	.059 [1.50]	6	#6
LSH5063	5.00 [127.0]	.071 [1.80]	8	#6
LSH6063	6.00 [152.4]	.060 [1.50]	8	#6
LSH8079	8.13 [206.5]	.079 [2.00]	8	#8

Steel, Zinc Plated T-Hinges



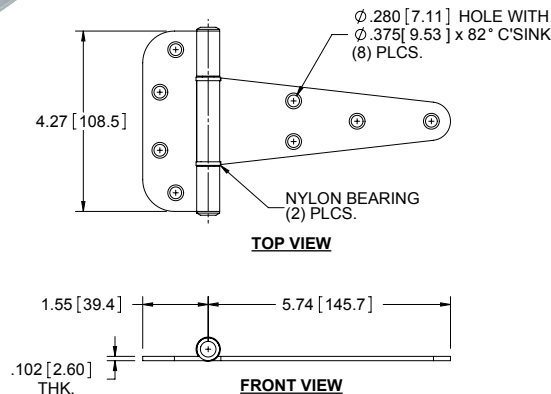
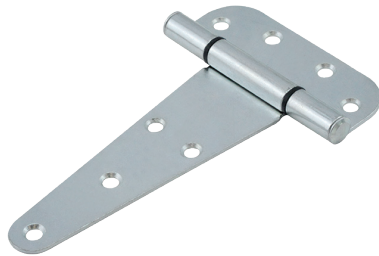
Heavy T-Hinges

Part Number	Closed Width	Material Thickness	No. of Holes	Screw Size
HTH4091	4.00 [101.6]	.091 [2.30]	6	#7
HTH5091	5.00 [127.0]	.091 [2.30]	8	#9
HTH6091	5.85 [148.6]	.091 [2.30]	8	#10
HTH8188	8.00 [203.2]	.102 [2.60]	9	#10

Light T-Hinges

Part Number	Closed Width	Material Thickness	No. of Holes	Screw Size
LTH2055	2.00 [50.8]	.055 [1.40]	6	#6
LTH3055	3.00 [76.2]	.055 [1.40]	6	#6
LTH4055	4.00 [101.6]	.055 [1.40]	6	#6
LTH5063	5.20 [132.1]	.065 [1.65]	7	#6
LTH6063	6.00 [152.4]	.063 [1.60]	7	#7

Steel Heavy T-Hinge



Part Number	Material	Finish
HTH6094	steel	zinc plated
NEW HTH6094BK	steel	black e-coated

- ▶ press fit steel pins on both ends
- ▶ nylon bearings increase life expectancy and ensures smooth, quiet operation