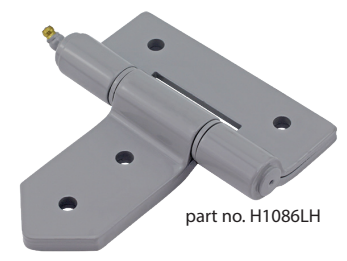
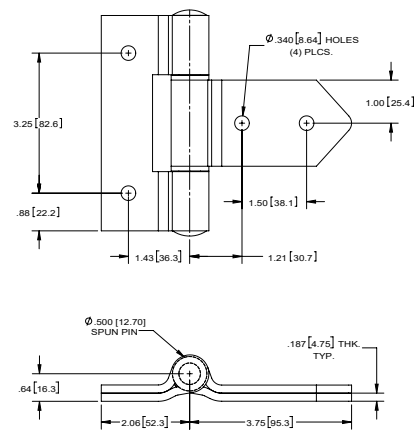


Steel Strap Hinge with Grease Fitting

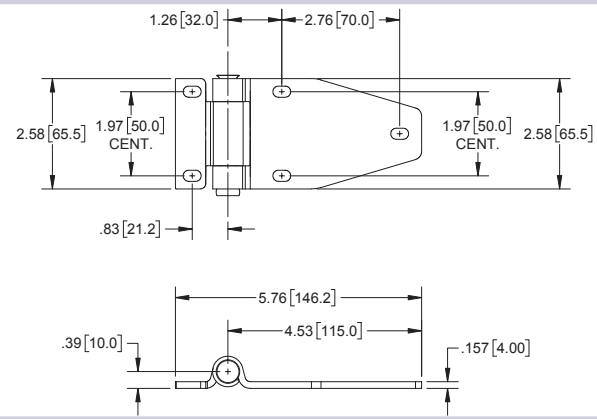
Part No.	Finish	Pin
H1086LH	gray powder coated	swaged brass pin with grease fitting
NEW H1086LH-03	zinc plated	steel, zinc plated pin with spun ends no grease fitting



part no. H1086LH

Stainless Steel Strap Hinge

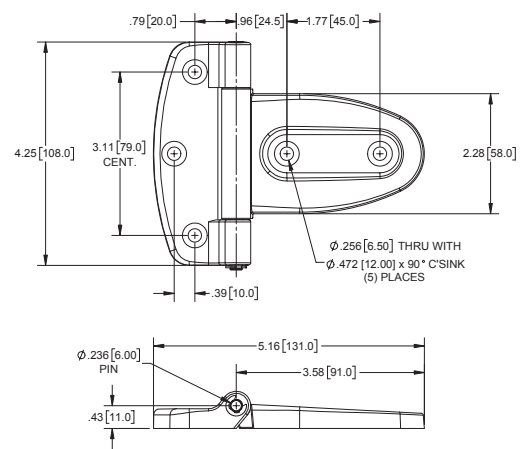
Part Number	Material	Finish
HSH4516SS	304SS	tumbled deburred



Plastic Strap Hinge

Part No.	Material	Finish
1009P	plastic	matte black

▶ 304SS pin with passivated finish



Die Cast Zinc Strap Hinges with Adjustable Offset

Part No.	Material	Description
H2258BK-LH	die cast zinc	left hand
NEW H2258BK-RH	die cast zinc	right hand

- ▶ finish: matte black
- ▶ stainless steel pin with passivated finish
- ▶ eccentric pin allows up/down & lateral in/out hinge adjustment

