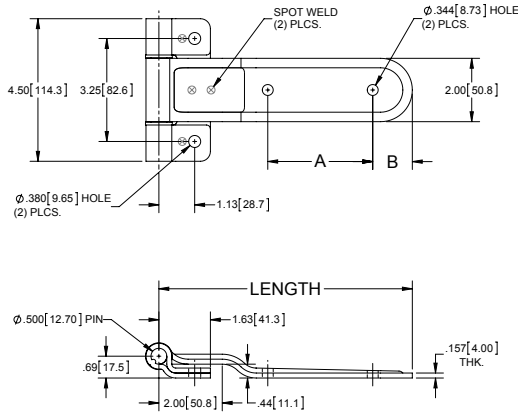


Strap Hinges

Reverse Base with Offset Strap - (4) Holes

Part Number	Material	Finish	A	B	Length
H308003 *	steel	zinc plated	3.313	1.250	8.00
H308003SS	304SS	mill	[84.15]	[31.75]	[203.2]
H308003A	aluminum	mill			
H312003-01*	steel	zinc plated	3.625	1.250	12.00
			[92.08]	[31.75]	[204.8]

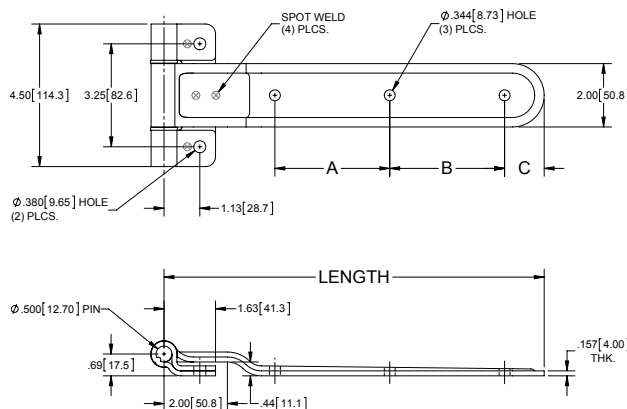
- ▶ aluminum hinges have stainless steel pins and washers
- ▶ \* these hinges are stock items



Reverse Base with Offset Strap - (5) Holes

Part Number	Material	Finish	A	B	C	Length
H312003 *	steel	zinc plated				
H312003SS	304SS	mill	3.625	3.625	1.250	12.00
H312003SS-01	304SS	passivated	[92.08]	[92.08]	[31.75]	[304.8]
H312003A	aluminum	mill				
H314003 *	steel	zinc plated	4.625	3.625	1.250	14.00
H314003SS*	304SS	mill	[117.48]	[92.08]	[31.75]	[355.6]
H314003A	aluminum	mill				
H316003 *	steel	zinc plated	5.625	5.625	1.250	16.00
H316003SS	304SS	mill	[142.88]	[142.88]	[31.75]	[406.4]
H316003A *	aluminum	mill				

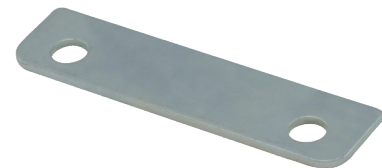
- ▶ aluminum hinges have stainless steel pins and washers
- ▶ \* these hinges are stock items



Custom Options	
general options	<ul style="list-style-type: none"> <li>▶ custom hole pattern</li> <li>▶ square holes</li> <li>▶ grease fittings</li> </ul>
<b>steel</b> (500 piece minimum order)	<ul style="list-style-type: none"> <li>▶ powder coated</li> <li>▶ stainless steel pin and washers</li> <li>▶ brass pin and washers</li> </ul>
<b>aluminum</b> (250 piece minimum order)	<ul style="list-style-type: none"> <li>▶ polished</li> <li>▶ anodized</li> </ul>
<b>stainless steel</b> (250 piece minimum order)	<ul style="list-style-type: none"> <li>▶ hand polished</li> <li>▶ electropolished</li> <li>▶ passivated</li> </ul>

▶ minimum order quantity will apply for these custom options

Shims



Part Number	Material	Finish
H3-03	steel	blue zinc
H3-03SS	304SS	mill
H3-03A	aluminum	mill

▶ material thickness: .125 [3.18]