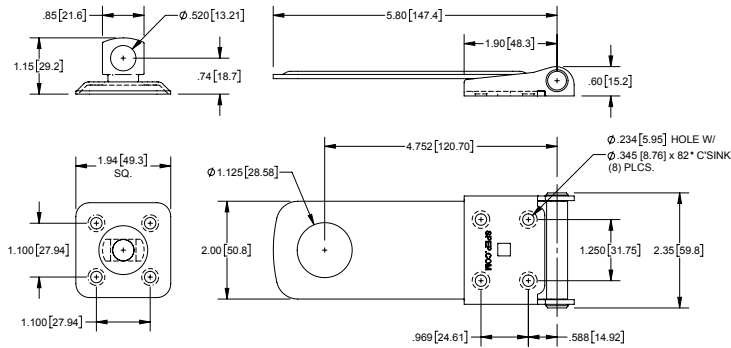
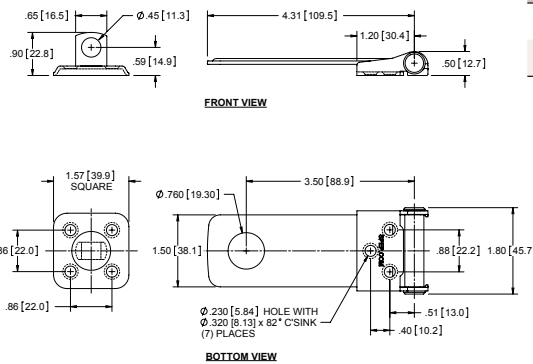


6.00" Hasp and Swivel Staple Kits (Steel)



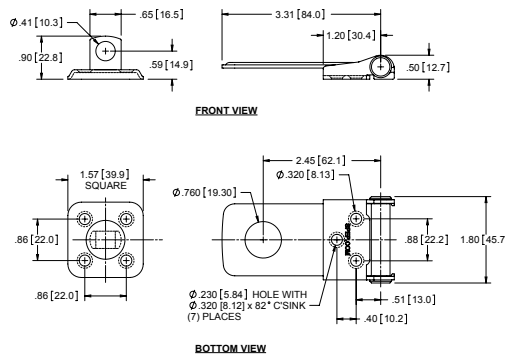
Part Number	Finish
2966ZN	zinc plated
2966BK	black powder coated

4.50" Hasp and Swivel Staple Kits (Steel)



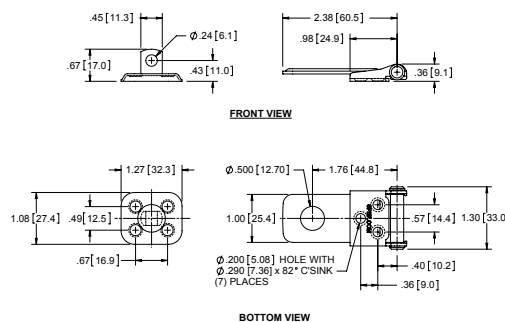
Part Number	Finish
2965ZN	zinc plated
2965BK	black powder coated

3.50" Hasp and Swivel Staple Kits (Steel)



Part Number	Finish
2964ZN	zinc plated
2964BK	black powder coated

2.50" Hasp and Swivel Staple Kits (Steel)



Part Number	Finish
2963ZN	zinc plated
2963BK	black powder coated