

Front-mount NEMA 12 PAT. Padlocking L-Handles

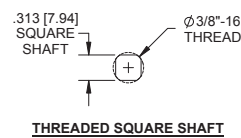
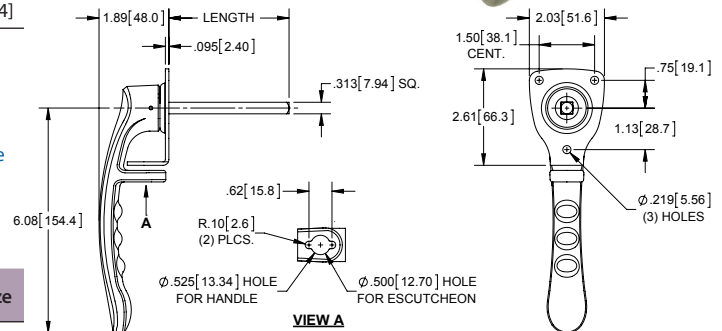
Part Number	Material	Finish	Shaft Length	Shaft Style	Shaft Size
309-SS-P	304SS	polished	3.25 [82.6]	non threaded	.313 [7.94]
309-SS-PS	304SS	passivated	3.25 [82.6]		.313 [7.94]
309-S-ZN	cast steel	zinc plated	3.25 [82.6]	non threaded	.313 [7.94]
NEW 309-S-G01	cast steel	ANSI 61 gray powder coated	3.25 [82.6]		.313 [7.94]
309-S-CH	cast steel	chrome plated	3.25 [82.6]	3/8" - 16 thread	.313 [7.94]
309TH-SS-P	304SS	polished	3.25 [82.6]		.313 [7.94]
309TH-SS-P1	316SS	polished	4.00 [101.6]		.313 [7.94]
309TH-S-ZN	cast steel	zinc plated	3.25 [82.6]		.313 [7.94]
309TH-S-ZN01	cast steel	zinc plated	1.14 [37.3]		.313 [7.94]

- ▶ 360° bidirectional rotation design
- ▶ all parts include o-ring
- ▶ intended for NEMA 12 enclosure requirements when used with **309G-01** face gasket (sold separately)
- ▶ keyhole allows you to use a standard padlock or dual lock bracket, enabling the use of 2 padlocks with different key codes. See part no. **X125-01** on pg. 32

Blind-mount NEMA 4 NEMA 4x NEMA 12 IP66 PAT.

Part Number	Material	Finish	Shaft Length	Shaft Style	Shaft Size
309BO-SS-P*	304SS	passivated	3.25 [82.6]	non threaded	.313 [7.94]
309THBO-SS-P*	304SS	polished	3.25 [82.6]	3/8" - 16 thread	.313 [7.94]
309THBO-SS-P1*	304SS	polished	1.50 [38.1]		.313 [7.94]
309THBO-SS-P4*	304SS	polished	2.50 [63.5]	non threaded	.313 [7.94]
309THB-S-ZN	cast steel	zinc plated	3.25 [82.6]	3/8" - 16 thread	.313 [7.94]
309THB-S-ZN1	cast steel	zinc plated	2.25 [57.2]		.313 [7.94]

- ▶ 360° bidirectional rotation design
- ▶ all parts include o-ring
- ▶ intended for NEMA 4, 4X, 12 and IP66 enclosure requirements when used with **309G-02** face gasket (sold separately)
- * stainless steel parts include gasket
- ▶ keyhole allows you to use a standard padlock or dual lock bracket, enabling the use of 2 padlocks with different key codes. See part no. **X125-01** on pg. 32



patented
front mount style,
holes on escutcheon

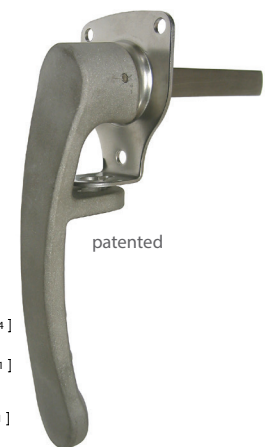
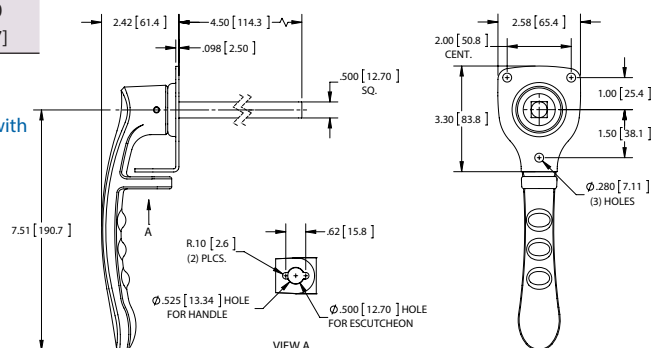


blind mount style,
1/4-20 x .50 long
threaded studs on
escutcheon

Front-mount NEMA 12 PAT. Padlocking L-Handles

Part Number	Material	Finish	Shaft Length	Shaft Size
310-SS-P	304SS	hand polished & passivated	4.50 [114.3]	.500 [12.7]
310-SS-PS	304SS	passivated	4.50 [114.3]	.500 [12.7]
310-S-ZN	cast steel	zinc plated	4.50 [114.3]	.500 [12.7]
310-S-CH	cast steel	chrome plated	4.50 [114.3]	.500 [12.7]

- ▶ 360° bidirectional rotation design
- ▶ all parts include o-ring
- ▶ intended for NEMA 12 enclosure requirements when used with **310G** face gasket (sold separately)
- ▶ keyhole allows you to use a standard padlock or dual lock bracket, enabling the use of 2 padlocks with different key codes. See part no. **X125-01** on pg. 32
- ▶ non-threaded shaft



patented