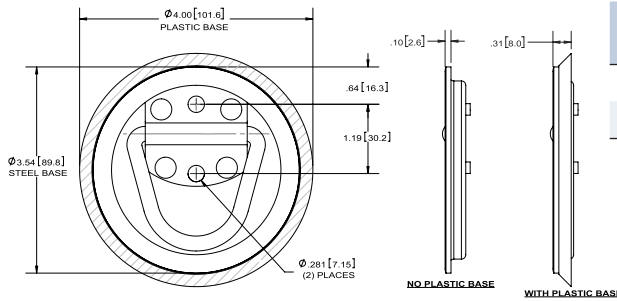


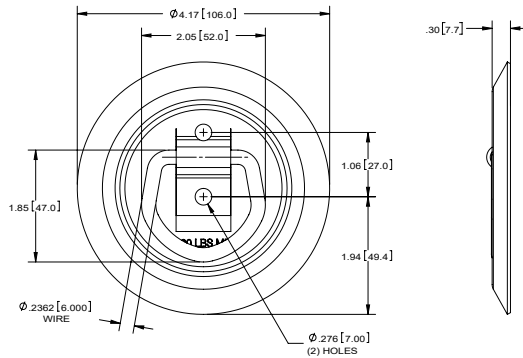
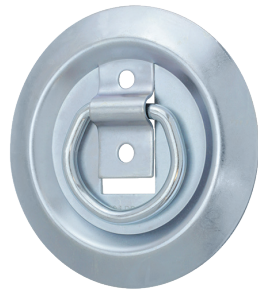
### Tie Down Rings



Part Number	Material	Finish	Plastic Base	WLL (lbs.)	UBS (lbs.)
858	steel	zinc plated	yes	400	1,200
858-01	steel	zinc plated	no	400	1,200

- ▶ black plastic base is not included with part no. 858-01
- ▶  $\Phi .250$  [6.35] steel D-ring
- ▶  $.063$  [1.60] thick base and D-ring holder

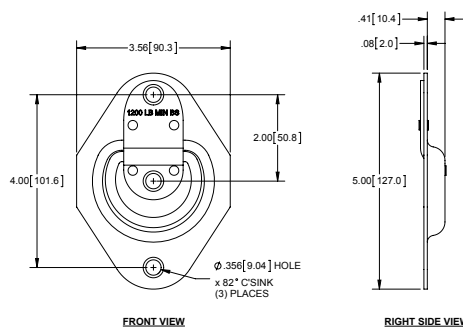
### Tie Down Ring



Part Number	Material	Finish	WLL (lbs.)	UBS (lbs.)
863ZN	steel	zinc plated	400	1,200

- ▶  $.059$  [1.50] thick base

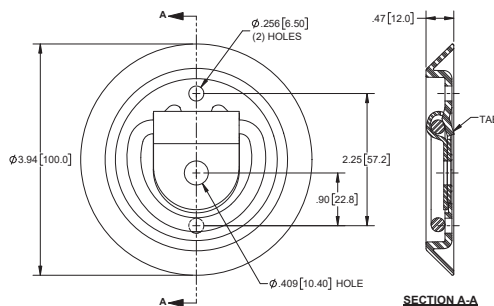
### Tie Down Ring



Part Number	Material	Finish	WLL (lbs.)	UBS (lbs.)
856	steel	zinc plated	400	1,200

- ▶  $\Phi .236$  [6.00] wire
- ▶  $.079$  [2.00] thick base and wire holder

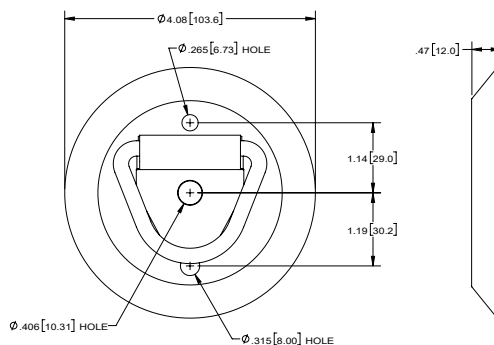
### Tie Down Ring



Part Number	Material	Finish	WLL (lbs.)	UBS (lbs.)
858-05	steel	zinc plated	400	1,200

- ▶ black plastic base
- ▶ tab on plastic base provides a snug fit that prevents ring from rattling and holds it in place at any position
- ▶  $\Phi .236$  [6.00] steel D-ring
- ▶  $.059$  [1.50] thick D-ring holder

### Tie Down Ring



Part Number	Material	Finish	WLL (lbs.)	UBS (lbs.)
857	steel/plastic	zinc plated	600	1,800

- ▶ black plastic base
- ▶  $\Phi .250$  [6.35] steel D-ring
- ▶  $.059$  [1.50] thick D-ring holder
- ▶ D-ring assembly can be purchased separately as part number 857-01