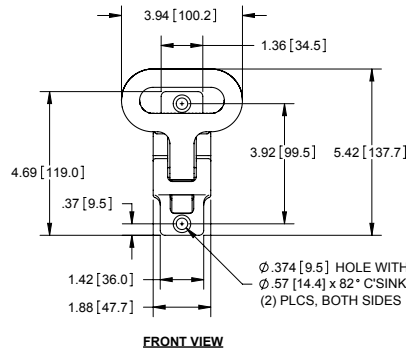


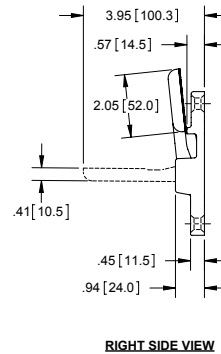
Small Folding Steps

Part Number	Material	Finish
875SS	304SS	electro-polished
875ZN	cast steel	zinc plated
875BK	cast steel	black e-coated

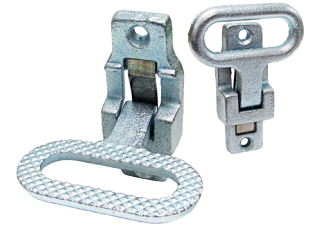
- meets or exceeds 49 CFR Section 399 FMCSA for serrated step surface slip resistant design and min. static working load requirement of 204kg/450lbs



FRONT VIEW



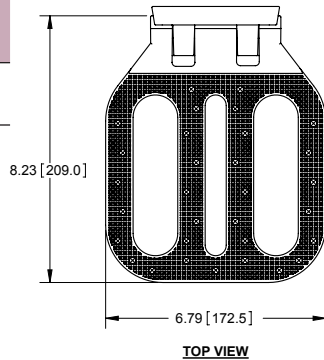
RIGHT SIDE VIEW



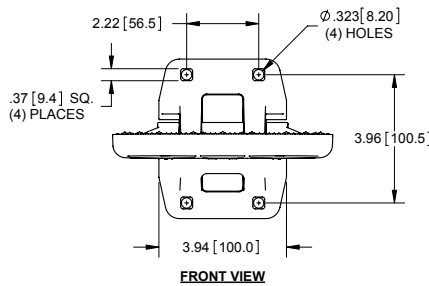
Large Folding Step with Gasket

Part Number	Material	Finish
874CH	die cast zinc	textured chrome

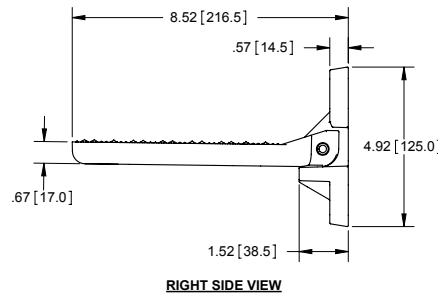
- includes gasket
- meets or exceeds 49 CFR Section 399 FMCSA for serrated step surface slip resistant design and min. static working load requirement of 204kg/450lbs



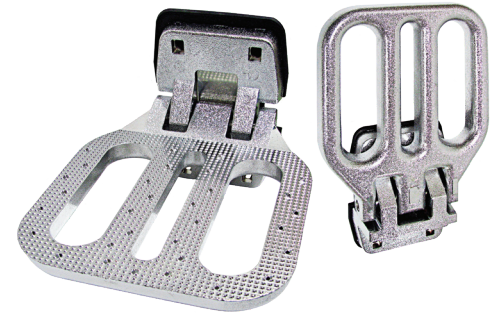
TOP VIEW



FRONT VIEW



RIGHT SIDE VIEW



NEW PAT. Large Folding Step

Part Number	Material	Finish
876ZN	steel	zinc plated

- meets or exceeds 49 CFR Section 399 FMCSA for serrated step surface slip resistant design and min. static working load requirement of 204kg/450lbs

