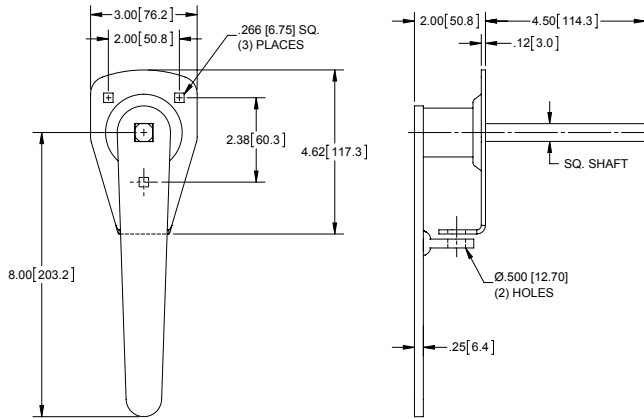


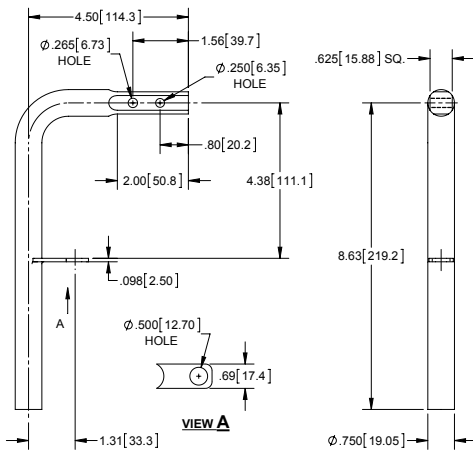
Heavy Duty Padlocking L-Handles



Part Number	Material	Finish	Square Shaft Size
306	steel	zinc plated	.500 [12.70]

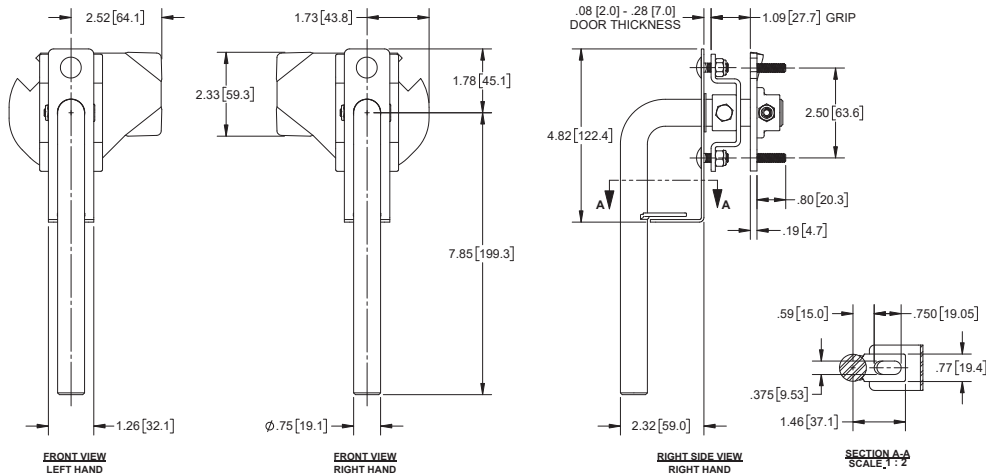
▶ 360° bi-directional rotation

Traffic Enclosure Handle



Part Number	Material	Finish
302-SS-00	304SS	passivated

Traffic Enclosure Handles with Escutcheon 316SS



Part Number	Material	Finish	Handing
324SS	316SS	electropolished	right hand

NEW

324SS-LH	316SS	electropolished	left hand
-----------------	-------	-----------------	-----------

▶ only handle and escutcheon are 316SS
▶ handles rotate 360° bi-directionally