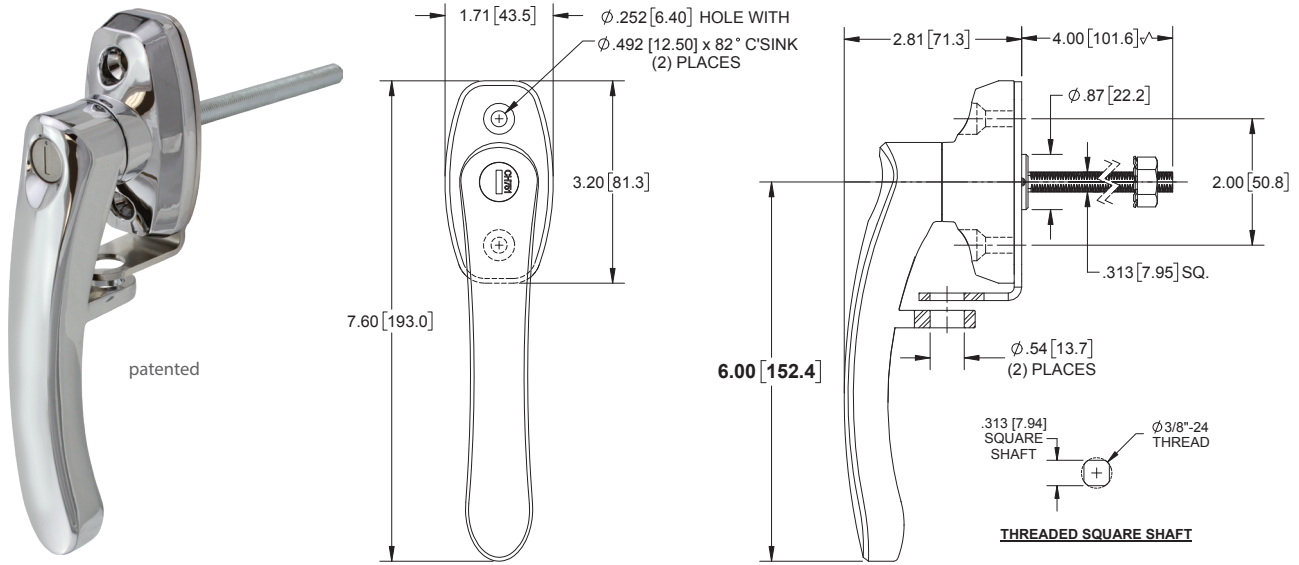


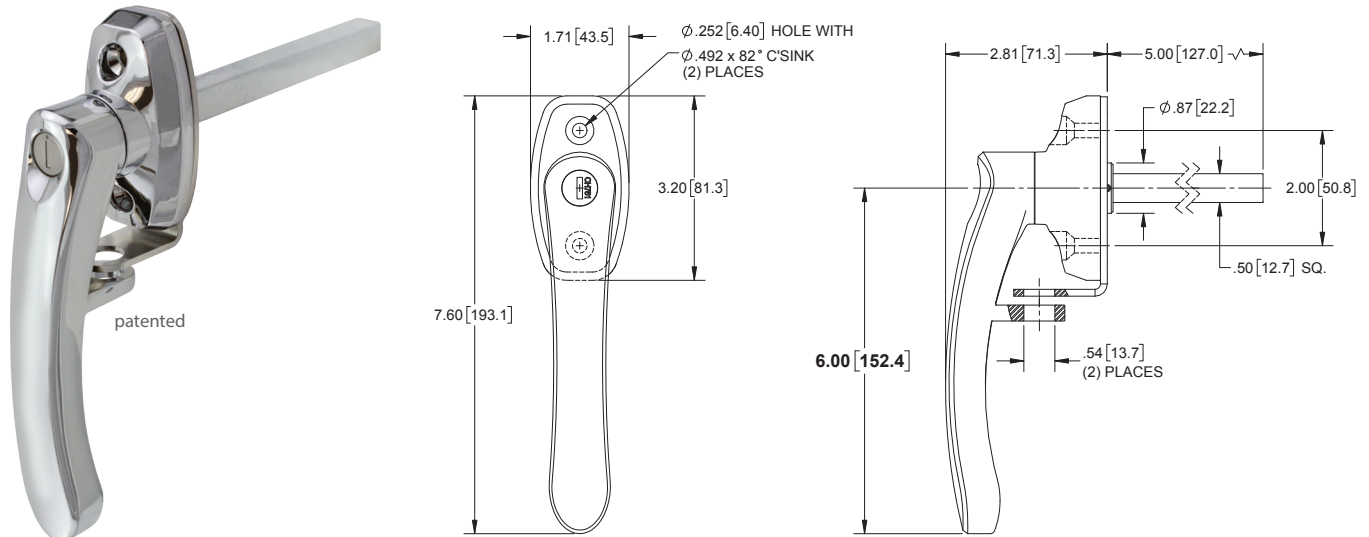
Large 5/16" Sq. Shaft L-Handles with Padlocking Option PAT. ADA



Part Number	Rotation	Locking	Keyed (2 Keys/Lock)	Shaft Length	Shaft Style	Finish	Mount	Mounting Centers
336001LK	90° CC	yes	CH751	4.00 [101.6]	3/8" - 24 thread	chrome	front	2.000 [50.80]
3360LK	90° CW	yes	CH751	4.00 [101.6]	3/8" - 24 thread	chrome	front	2.000 [50.80]
336004LK	360°	yes	CH751	4.00 [101.6]	3/8" - 24 thread	chrome	front	2.000 [50.80]

- ▶ includes dust shutter
- ▶ handles include (2) ringed keys
- ▶ does not include mounting screws (1/4" or #14 recommended)
- ▶ material: die cast zinc
- ▶ meets ADA requirements
- ▶ achieve NEMA 12 and IP64 enclosure access requirements when combined with (2) escutcheon gaskets sold separately (part no. 336G) and sealing screws

Large 1/2" Sq. Shaft L-Handles with Padlocking Option PAT. ADA



Part Number	Rotation	Locking	Keyed (2 Keys/Lock)	Shaft Length	Shaft Style	Finish	Mount	Mounting Centers
3370LK	90° CW	yes	CH751	5.00 [12.7]	non-threaded	chrome	front	2.000 [50.80]
337004LK	360°	yes	CH751	5.00 [12.7]	non-threaded	chrome	front	2.000 [50.80]
3370LKBK	90° CW	yes	CH751	5.00 [12.7]	non-threaded	matte black powder coat, lightly textured	front	2.000 [50.80]
337001LK	90° CC	yes	CH751	5.00 [12.7]	non-threaded	chrome	front	2.000 [50.80]
337001LKBK	90° CC	yes	CH751	5.00 [12.7]	non-threaded	matte black powder coat, lightly textured	front	2.000 [50.80]

- ▶ includes dust shutter
- ▶ handles include (2) ringed keys
- ▶ does not include mounting screws (1/4" or #14 recommended)
- ▶ material: die cast zinc
- ▶ meets ADA requirements
- ▶ achieve NEMA 12 and IP64 enclosure access requirements when combined with (2) escutcheon gaskets sold separately (part no. 336G) and sealing screws