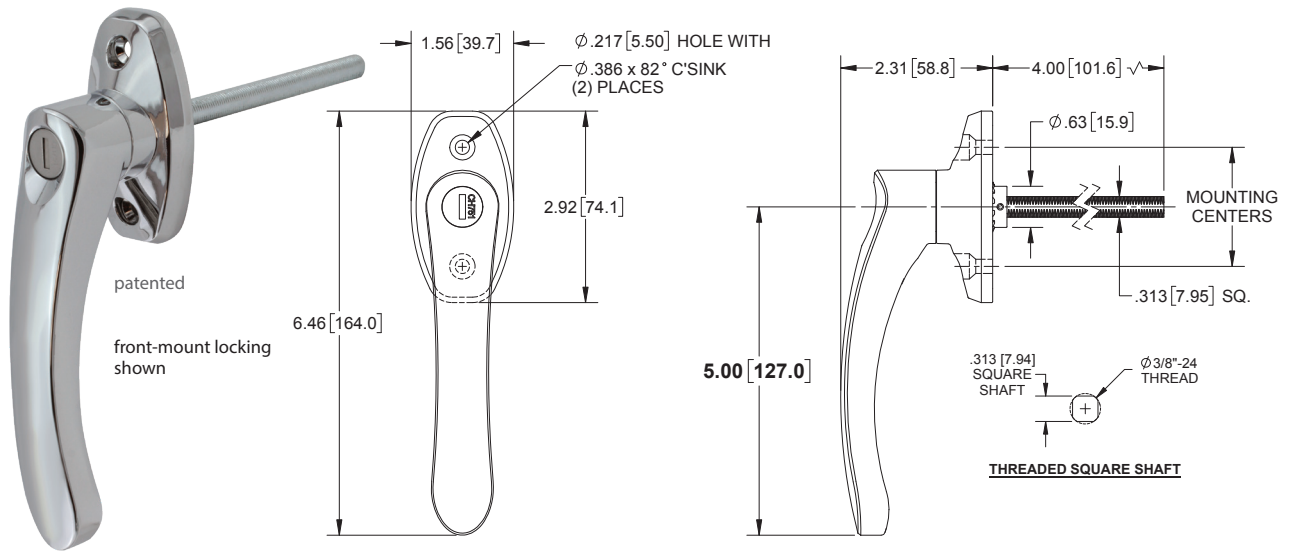


Medium L-Handles PAT. ADA



Part Number	Rotation	Locking	Keyed (2 Keys/Lock)	Shaft Length	Shaft Style	Finish	Mount	Mounting Centers
3352	90° CW							
335201	90° CC	yes	CH751					
3353	90° CW			4.00 [101.6]	3/8" - 24 thread	chrome	front	1.750 [44.45]
335301	90° CC	no	non-locking					
3452	90° CW	yes	CH751					
345201	90° CC			4.00 [101.6]	3/8" - 24 thread	chrome	blind	1.750 [44.45]
3455	90° CW							
345501	90° CC	no	non-locking					
3350	90° CW	yes	CH751					
335001	90° CC			4.00 [101.6]	3/8" - 24 thread	chrome	front	1.813 [46.04]
3351	90° CW							
335101	90° CC	no	non-locking					
3450	90° CW	yes	CH751					
345001	90° CC			4.00 [101.6]	3/8" - 24 thread	chrome	blind	1.813 [46.04]
3453	90° CW							
345301	90° CC	no	non-locking					
3354	90° CW	yes	CH751					
335401	90° CC			4.00 [101.6]	3/8" - 24 thread	chrome	front	2.000 [50.80]
3355	90° CW							
335501	90° CC	no	non-locking					
3454	90° CW	yes	CH751					
345401	90° CC			4.00 [101.6]	3/8" - 24 thread	chrome	blind	2.000 [50.80]
3451	90° CW							
345103	90° CC	no	non-locking					

- ▶ material: die cast zinc
- ▶ achieve NEMA 12 and IP64 enclosure access requirements when combined with escutcheon gasket sold separately, part no. 335G
- ▶ meets ADA requirements
- ▶ includes dust shutter
- ▶ locking handles include (2) ringed keys
- ▶ front-mount handles do not include mounting screws (#10 recommended)
- ▶ blind-mount handles include (2) 10-32 x .41 [10.4] long mounting screws
- ▶ all handles include 3/8"-24 keps nuts