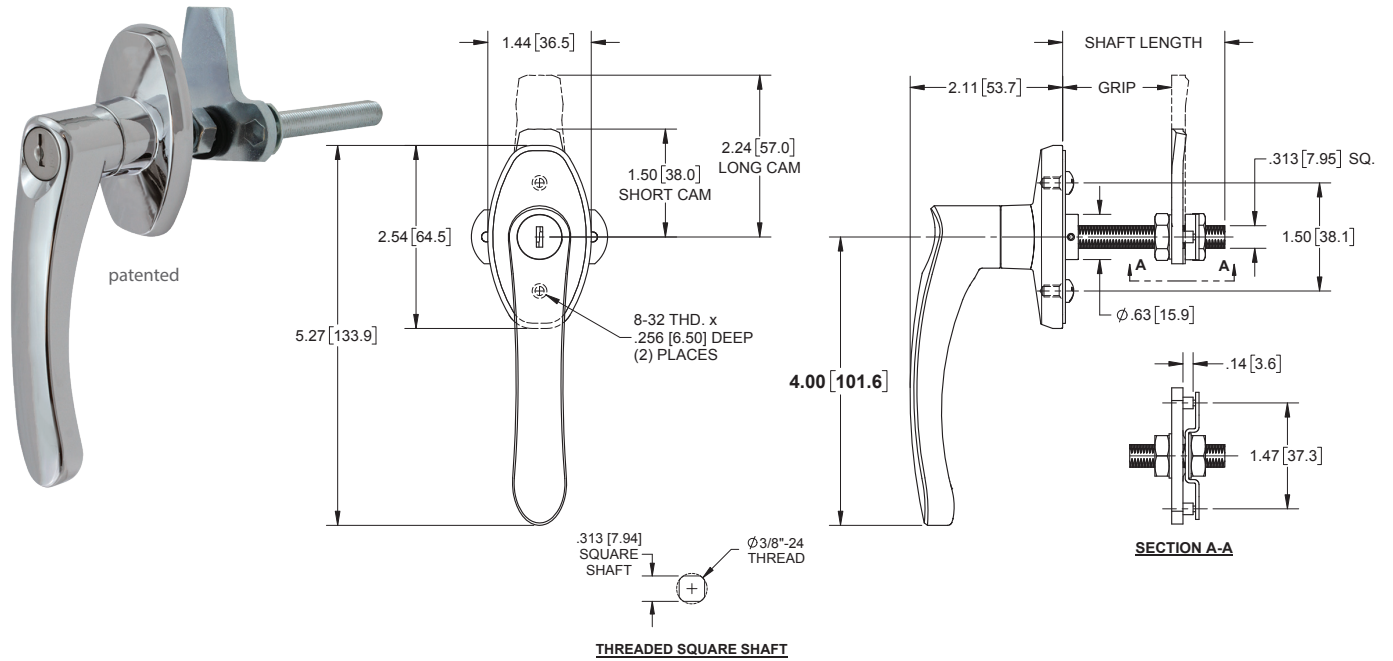


Small Chrome L-Handles with 3-Point Cam



Part Number	Cam Type	Shaft Length	Grip	Rotation	Key Code
35CH-01	short	1.25 [31.8]	.63 [16.0] - .75 [19.1]		
35CH-01L	long	1.25 [31.8]	.63 [16.0] - .75 [19.1]		
35CH-02	short	1.75 [44.5]	.63 [16.0] - 1.25 [31.8]	90° CW	non-locking
35CH-02L	long	1.75 [44.5]	.63 [16.0] - 1.25 [31.8]	90° CW	CH751
35CH-03	short	2.25 [57.2]	.63 [16.0] - 1.75 [44.5]		
35CH-03L	long	2.25 [57.2]	.63 [16.0] - 1.75 [44.5]		
36CH-01	short	1.25 [31.8]	.63 [16.0] - .75 [19.1]		
36CH-01L	long	1.25 [31.8]	.63 [16.0] - .75 [19.1]		
36CH-02	short	1.75 [44.5]	.63 [16.0] - 1.25 [31.8]	90° CW	CH751
36CH-02L	long	1.75 [44.5]	.63 [16.0] - 1.25 [31.8]	90° CW	CH751
36CH-03	short	2.25 [57.2]	.63 [16.0] - 1.75 [44.5]		
36CH-03L	long	2.25 [57.2]	.63 [16.0] - 1.75 [44.5]		
35CH-04	short	1.25 [31.8]	.63 [16.0] - .75 [19.1]		
35CH-04L	long	1.25 [31.8]	.63 [16.0] - .75 [19.1]		
35CH-05	short	1.75 [44.5]	.63 [16.0] - 1.25 [31.8]	90° CC	non-locking
35CH-05L	long	1.75 [44.5]	.63 [16.0] - 1.25 [31.8]	90° CC	non-locking
35CH-06	short	2.25 [57.2]	.63 [16.0] - 1.75 [44.5]		
35CH-06L	long	2.25 [57.2]	.63 [16.0] - 1.75 [44.5]		
36CH-04	short	1.25 [31.8]	.63 [16.0] - .75 [19.1]		
36CH-04L	long	1.25 [31.8]	.63 [16.0] - .75 [19.1]		
36CH-05	short	1.75 [44.5]	.63 [16.0] - 1.25 [31.8]	90° CC	CH751
36CH-05L	long	1.75 [44.5]	.63 [16.0] - 1.25 [31.8]	90° CC	CH751
36CH-06	short	2.25 [57.2]	.63 [16.0] - 1.75 [44.5]		
36CH-06L	long	2.25 [57.2]	.63 [16.0] - 1.75 [44.5]		

- ▶ material: die cast zinc
- ▶ meets ADA requirements
- ▶ locking handles include (2) ringed keys
- ▶ handles are blind-mount and include (2) 8-32 x .25 [6.4] long mounting screws
- ▶ all handles include 3/8"-24 keps nuts for the threaded shaft
- ▶ may be used with part number 723 rod, pg. 67