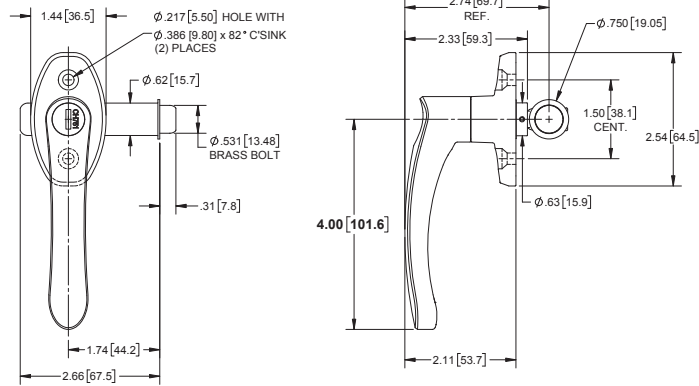


Small L-Handles with Slam Bolt Latch

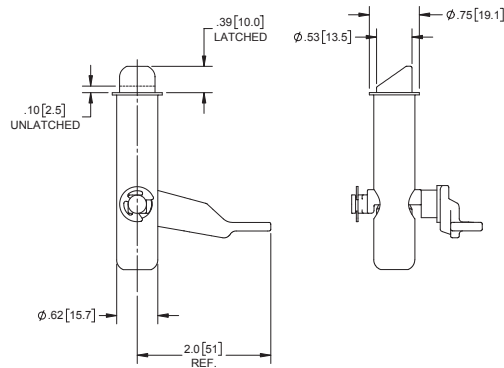


Part Number	Mount	90° Rotation	Locking	Finish	Key Code
315105	front	CW	yes	chrome	CH751
315405	front	CW	no	chrome	non-locking
325205	blind	CC	yes	chrome	CH751

- ▶ material: die cast zinc
- ▶ includes dust shutter
- ▶ includes (2) ringed keys
- ▶ mounting screws not supplied (#10 recommended)
- ▶ components may be purchased separately
- ▶ achieve NEMA 12 and IP64 enclosure access requirements when combined with escutcheon gasket sold separately, part no. 315G
- ▶ meets ADA requirements
- ▶ T-Handle design available, see part no. 350105 pg. 46



Small Handle with Spring Loaded Bolt Latch



Part Number	Material	Finish
3550	die cast zinc	zinc plated

- ▶ bolt latch has steel, yellow zinc plated housing and brass bolt with mill finish
- ▶ commonly used on trash chute doors

Front Mount T-Handle with Slam Bolt Latch



Part Number	Mount	90° Rotation	Key Code	Description
350105	front	CW	CH751	key removable in both positions
NEW 350110	front	CW	CH751	key removable in locked position only

- ▶ material: die cast zinc
- ▶ finish: chrome
- ▶ L-Handle design available, see part no. 315105 & 315405 pg. 46
- ▶ mounting screws not supplied
- ▶ (2) ringed keys
- ▶ components may be purchased separately

