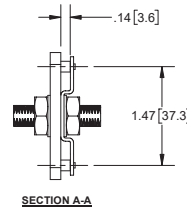
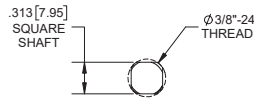
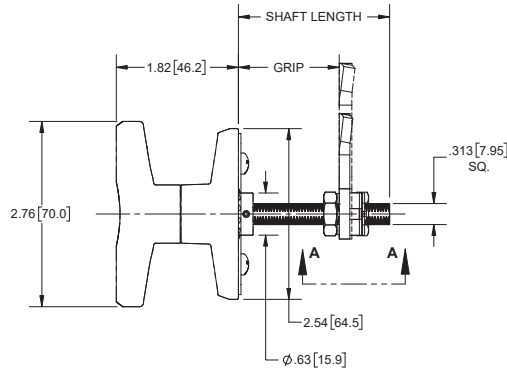
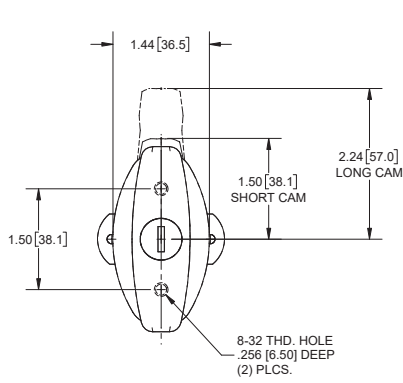




Blind Mount T-Handles with 3-Point Cam



Part Number		Cam Type	Shaft Length	Grip	Rotation	Finish
Non-Locking	Locking Key Code CH751					
37BK-01	38BK-01	short	1.25 [31.8]	.63 [16.0] - .75 [19.1]		
37BK-01L	38BK-01L	long	1.25 [31.8]	.63 [16.0] - .75 [19.1]		
37BK-02	38BK-02	short	1.75 [44.5]	.63 [16.0] - 1.25 [31.8]	90° CW	matte black powder coated
37BK-02L	38BK-02L	long	1.75 [44.5]	.63 [16.0] - 1.25 [31.8]	90° CW	matte black powder coated
37BK-03	38BK-03	short	2.25 [57.2]	.63 [16.0] - 1.75 [44.5]		
37BK-03L	38BK-03L	long	2.25 [57.2]	.63 [16.0] - 1.75 [44.5]		
37BK-04	38BK-04	short	1.25 [31.8]	.63 [16.0] - .75 [19.1]		
37BK-04L	38BK-04L	long	1.25 [31.8]	.63 [16.0] - .75 [19.1]		
37BK-05	38BK-05	short	1.75 [44.5]	.63 [16.0] - 1.25 [31.8]	90° CC	matte black powder coated
37BK-05L	38BK-05L	long	1.75 [44.5]	.63 [16.0] - 1.25 [31.8]	90° CC	matte black powder coated
37BK-06	38BK-06	short	2.25 [57.2]	.63 [16.0] - 1.75 [44.5]		
37BK-06L	38BK-06L	long	2.25 [57.2]	.63 [16.0] - 1.75 [44.5]		
37CH-01	38CH-01	short	1.25 [31.8]	.63 [16.0] - .75 [19.1]		
37CH-01L	38CH-01L	long	1.25 [31.8]	.63 [16.0] - .75 [19.1]		
37CH-02	38CH-02	short	1.75 [44.5]	.63 [16.0] - 1.25 [31.8]	90° CW	chrome plated
37CH-02L	38CH-02L	long	1.75 [44.5]	.63 [16.0] - 1.25 [31.8]	90° CW	chrome plated
37CH-03	38CH-03	short	2.25 [57.2]	.63 [16.0] - 1.75 [44.5]		
37CH-03L	38CH-03L	long	2.25 [57.2]	.63 [16.0] - 1.75 [44.5]		
37CH-04	38CH-04	short	1.25 [31.8]	.63 [16.0] - .75 [19.1]		
37CH-04L	38CH-04L	long	1.25 [31.8]	.63 [16.0] - .75 [19.1]		
37CH-05	38CH-05	short	1.75 [44.5]	.63 [16.0] - 1.25 [31.8]	90° CC	chrome plated
37CH-05L	38CH-05L	long	1.75 [44.5]	.63 [16.0] - 1.25 [31.8]	90° CC	chrome plated
37CH-06	38CH-06	short	2.25 [57.2]	.63 [16.0] - 1.75 [44.5]		
37CH-06L	38CH-06L	long	2.25 [57.2]	.63 [16.0] - 1.75 [44.5]		

- ▶ material: die cast zinc
- ▶ meets ADA requirements
- ▶ locking handles include (2) ringed keys, key code CH751
- ▶ handles are blind-mount and include (2) 8-32 x .25 [6.4] long mounting screws
- ▶ may be used with part number **723** rod, pg. 67