

Junior Paddle Handles with Inside Release



▲ part no.
40502
40502ZN
40502SS
40801

Part Number Standard Bolt	Part Number Flat Bolt	Locking or Non-locking	Mounting Holes	Material	Finish
404	404A	non-locking	no	steel	pre-coat
404H	404AH	non-locking	yes	steel	pre-coat
404H02	---	non-locking	yes	steel	matte black
405	405A	locking	no	steel	pre-coat
NEW 405-DB ‡	405A-DB ‡	locking (double bitted)	no	steel	pre-coat
405H	405AH	locking	yes	steel	pre-coat
NEW 405H-DB ‡	405AH-DB ‡	locking (double bitted)	yes	steel	pre-coat
40502 ▲	---	locking	no	steel	pre-coat
NEW 40502-DB ‡	---	locking (double bitted)	no	steel	pre-coat
40502ZN ▲	---	locking	no	steel	zinc plated
NEW 40502ZN-DB ‡	---	locking (double bitted)	no	steel	zinc plated
NEW 40502SS ▲	---	locking	no	304SS	brushed
407	407A	locking	yes	304SS	hand polished
NEW 407-DB ‡	407A-DB ‡	locking (double bitted)	yes	304SS	hand polished
408	408A	non-locking	yes	304SS	hand polished
40801 ▲	---	non-locking	no	304SS	brushed

- ▶ SP1 key code supplied unless otherwise specified (see additional key codes tables below)
- ▶ ▲ latch retaining clip included
- ▶ handles can be used with an optional inside release to allow handle to be opened from interior of enclosure, see pg. 54
- ▶ electro-galvanized surface allows better paint adhesion than a zinc plated surface
- ▶ all bolts are made of die cast zinc
- ▶ neoprene gasket available (part no. 400G)
- ▶ suggested cut-out hole: 2.75 [69.9] x 3.88 [98.6]
- ▶ ‡ includes double-bitted lock and keys. See table below for key codes.



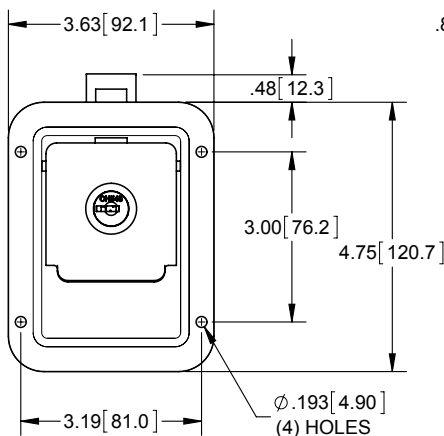
Junior Paddle Handle Additional Key Codes Available Upon Request

Part Number	Key Code	Part Number	Key Code
PLSCH509	CH509	PLSCH501	CH501
PLSCH510	CH510	PLSCH502	CH502
PLSCH545	CH545	PLSCH503	CH503
PLSCH751	CH751	PLSCH504	CH504
PLSSP1	SP1	PLSCH507	CH507

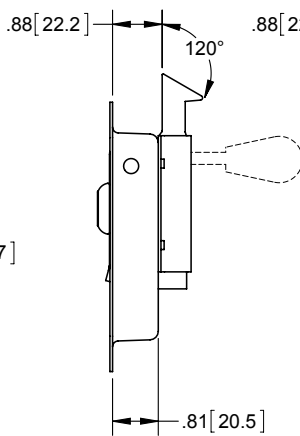
Part Number	Key Code	Part Number	Key Code
PLSDB-01	01	PLSDB-06	06
PLSDB-02	02	PLSDB-07	07
PLSDB-03	03	PLSDB-08	08
PLSDB-04	04	PLSDB-09	09
PLSDB-05	05	PLSDB-10	10

▶ double bitted

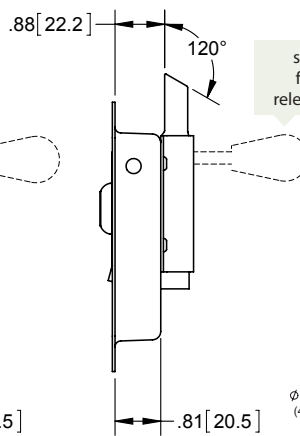
▶ double bitted



FRONT VIEW

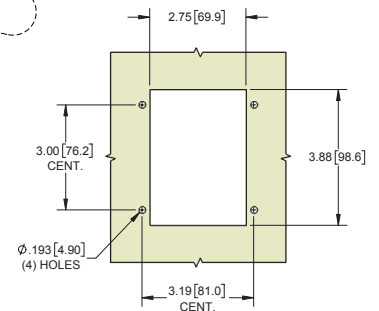


RIGHT SIDE VIEW
STANDARD BOLT



RIGHT SIDE VIEW
FLAT BOLT

see pg. 54
for inside
release options



MOUNTING DIMENSIONS