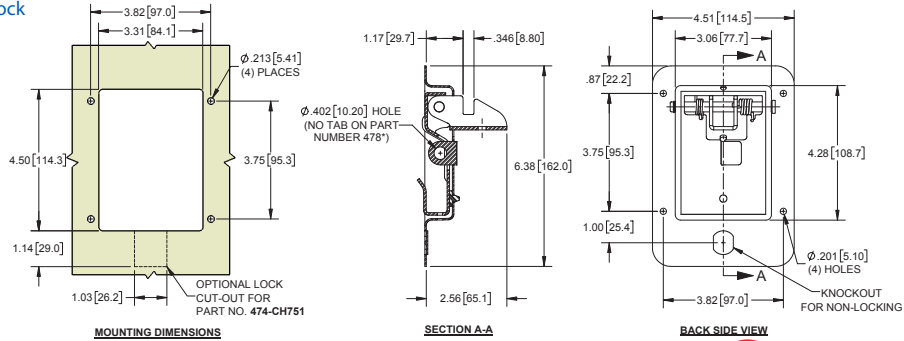


Paddle Handles with Padlock Tab

Part No.	Material	Finish	Cam Lock / Key Code	Mounting Holes
474	steel	black powder coated	none	yes
474-CH751	steel	black powder coated	CH751	yes

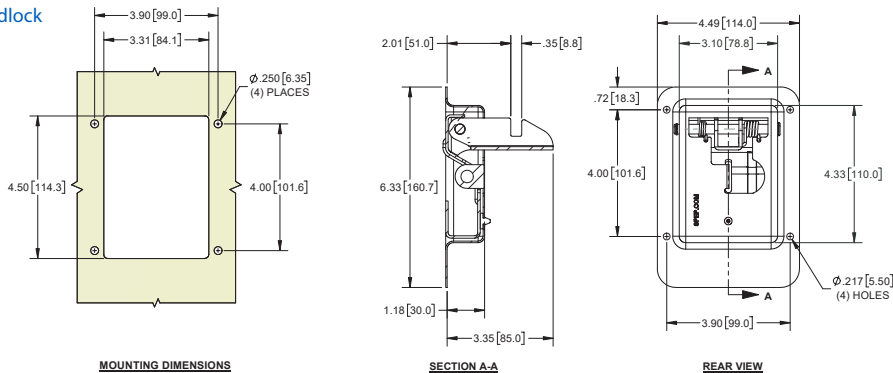
- ▶ pivoting catch allows for door and frame flexing on off-road and agricultural vehicles
- ▶ spring loaded components prevent vibration
- ▶ reverse paddle design allows for use on top hinged doors
- ▶ non-locking latch has a knockout covering hole
- ▶ accepts up to 3/8" padlock



NEW Padlockable Paddle Handle

Part No.	Material	Finish	Cam Lock / Key Code	Mounting Holes
474-04	steel	black powder coated	none	yes

- ▶ pivoting catch allows for door and frame flexing on off-road and agricultural vehicles
- ▶ spring loaded components prevent vibration
- ▶ reverse paddle design allows for use on top hinged doors
- ▶ accepts up to 3/8" padlock



Paddle Handles with No Padlock Tab

Part No.	Material	Finish	Cam Lock / Key Code	Mounting Holes
478	steel	black powder coated	none	yes
478-01	steel	black powder coated	CH751	yes

- ▶ pivoting catch allows for door and frame flexing on off-road and agricultural vehicles
- ▶ spring loaded components prevent vibration
- ▶ reverse paddle design allows for use on top hinged doors
- ▶ non-locking latch has a knockout covering hole

