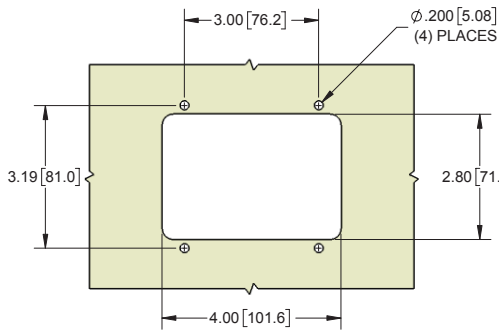


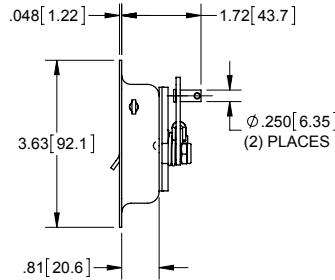
Two-Point Flush Paddle Handle

Part Number	Material	Finish
402	steel	semi-gloss black powder coated

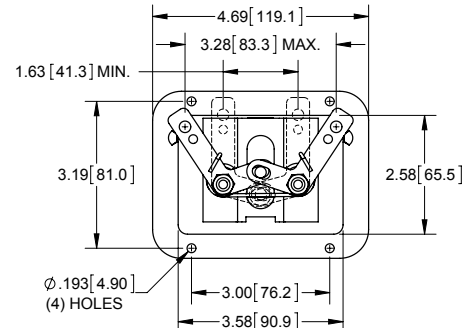
- ▶ for use with rod or cable system
(see page 67 for rods and accessories)



MOUNTING DIMENSIONS



SIDE VIEW



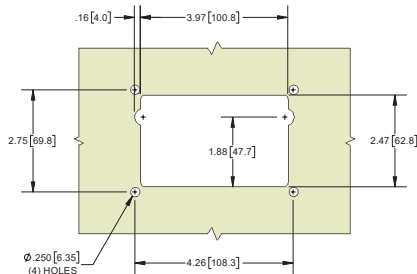
REAR VIEW

Part Number	Pan Material/Finish	Handle Material/Finish
459-T001	steel / black matte powder coated	steel / polished chrome plated
459BK-T001	steel / black matte powder coated	steel / black matte powder coated
459CH-T001	steel / polished chrome plated	steel / polished chrome plated

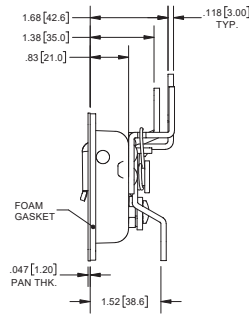


Locking Paddle Handles

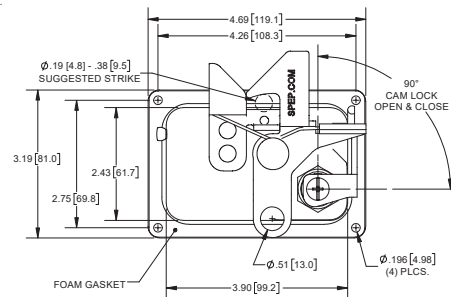
- ▶ key code T001
- ▶ includes 2 ringed keys
- ▶ includes foam gasket
- ▶ slam override function for automatic locking feature



MOUNTING DIMENSIONS



END VIEW



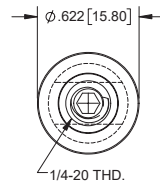
REAR VIEW

Part Number	Material	Finish
458-01	die cast zinc	blue zinc plated

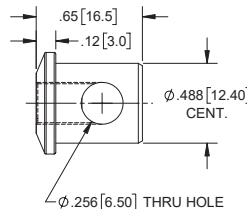
- ▶ includes steel set screw
- ▶ used on part no. 459-T001, 459BK-T001 and 459CH-T001



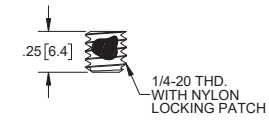
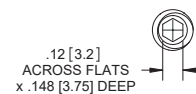
Rod Guide with Set Screw



FRONT VIEW



RIGHT SIDE VIEW



SET SCREW