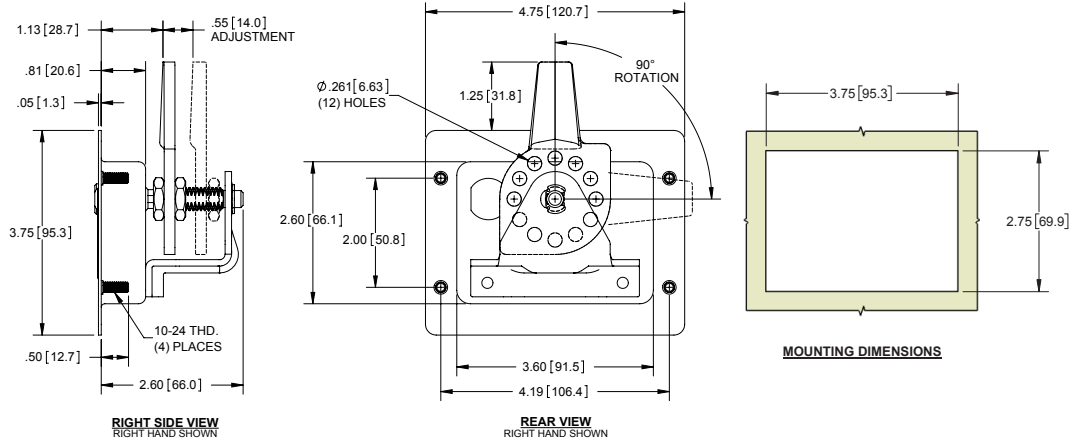


### Single Point Folding T-Handles

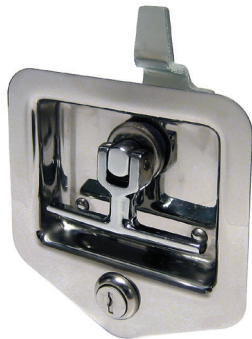


Part Number	Key Code	Finish
486RH-01	non-locking	matte black powder coated
486LH-01	non-locking	
486RH-751	CH751	zinc plated
486LH-751	CH751	

- ▶ material: steel
- ▶ locking part numbers include cam lock with (2) ringed keys
- ▶ cam has multiple holes for optional multi-point installation

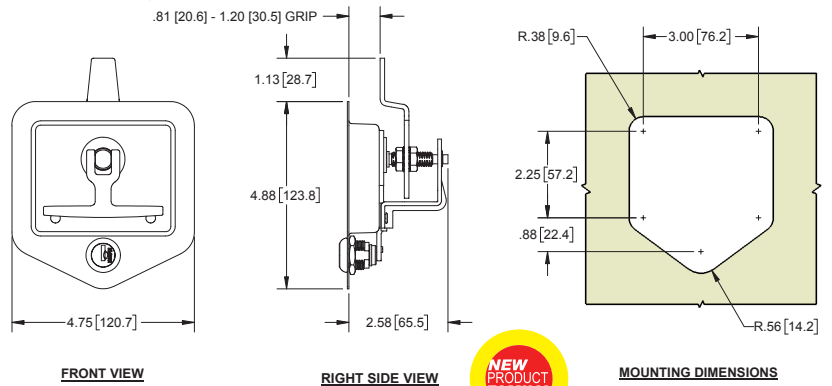


### Single Point Locking T-Handle with Offset Cam



Part Number	Key Code	Equivalent Key Code	Pan Material/ Finish	Holes	Pan Thickness	Handle Material
484-502-01	EM502	CH502	430SS pan only / polished	no	18 gauge	die cast zinc

- ▶ features adjustable cam



replacement cam locks available. see table below.



#### Replacement Cam Locks

Part Number	Key Code	Equivalent	Part Number	Key Code	Part Number	Key Code
LCEM501	EM501	CH501	LCDB-01	01	LCDB-06	06
LCEM502	EM502	CH502	LCDB-02	02	LCDB-07	07
LCEM545	EM545	CH545	LCDB-03	03	LCDB-08	08
LCEM751	EM751	CH751	LCDB-04	04	LCDB-09	09
			LCDB-05	05	LCDB-10	10

- ▶ double bitted
- ▶ double bitted

#### Folding T-Handle Gasket

Part Number	Description
480G	folding T-handle gasket

- ▶ for use with part no. 484-502-01 and T-handles on page 63

