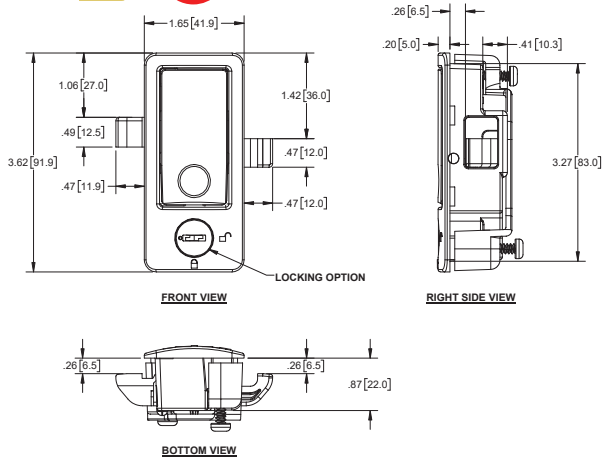


## Double Pawl Slam Latches



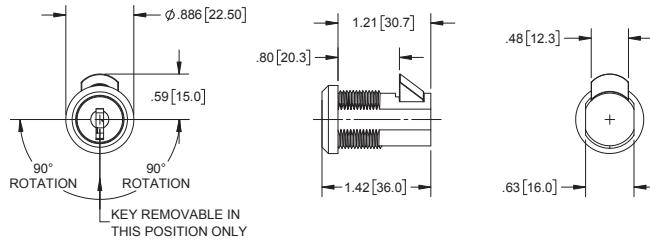
non-locking



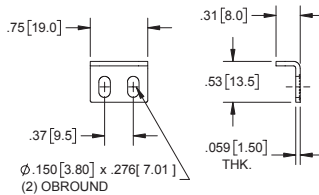
Part No.	Material	Finish	Key Code
1126LKP	plastic	textured black	CH751
1126P	plastic	textured black	non-locking

- ▶ locking latch includes:
  - ▶ (2) ringed, brass, nickel plated keys
  - ▶ mounting bracket & screws

## Key Locking Bolt Latch



LATCH

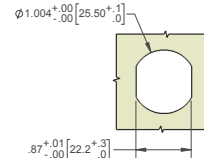
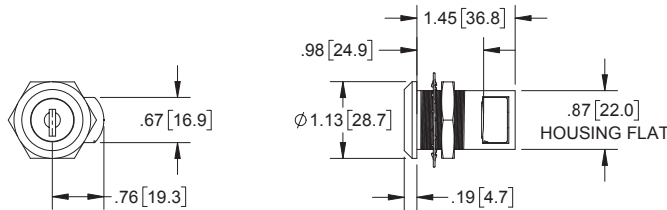


STRIKE

Part Number	Material	Finish
2-15CH	die cast zinc	chrome plated

- ▶ all latches include:
  - ▶ body nut
  - ▶ strike in steel, zinc plated
  - ▶ (2) ringed keys, code CH751
- ▶ spring clip mounting also available (non-stock)
- ▶ see pg. 324 for the recommended mounting cut-out

## Key Locking Bolt Latch

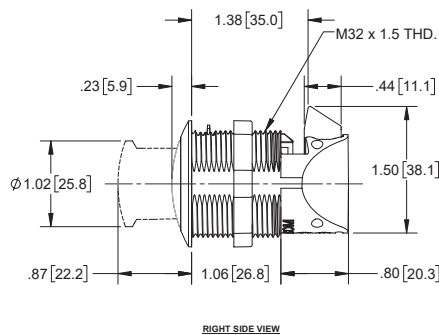
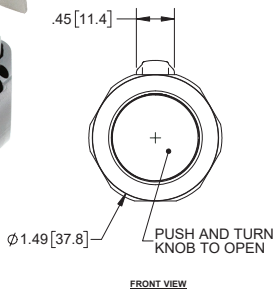


MOUNTING DIMENSIONS

Part Number	Material	Finish
2-16CH	die cast zinc	chrome plated

- ▶ for panel thickness between .04 [1.0] - .31 [8.0]
- ▶ plastic bolt

## Plastic Push Button Latches



Part Number	Material	Finish
2-20BK	ABS	black fine texture
2-20CH	ABS	smooth chrome plated

- ▶ includes 304SS passivated keeper and internal tooth lock washer
- ▶ grip: 1.38 [35.0]