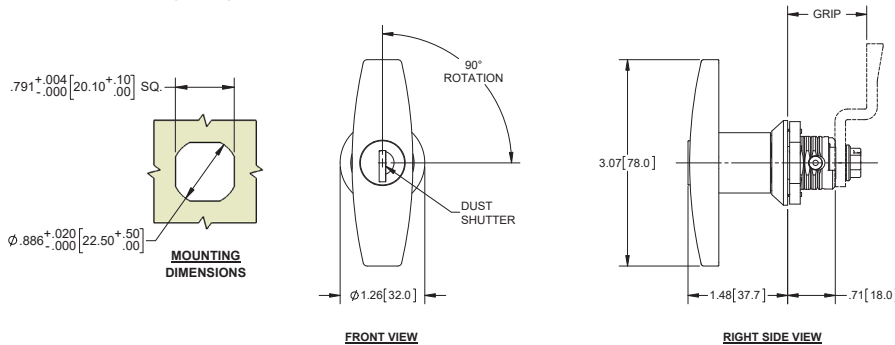




### T-Handle Quarter-turn Latches

Part Number	Material		Finish		Key Code
	T-Handle	Housing	T-Handle	Housing	
41-12P	plastic	die cast zinc	black	black powder coated	333
41-13P	plastic	die cast zinc	black	black powder coated	non-locking
41-12BK	die cast zinc	die cast zinc	black powder coated	black powder coated	333
41-13BK	die cast zinc	die cast zinc	black powder coated	black powder coated	non-locking
41-12CH	die cast zinc	die cast zinc	polished chrome	polished chrome	333
41-13CH	die cast zinc	die cast zinc	polished chrome	polished chrome	non-locking
41-12SST	316SS	316SS	brushed	brushed	333
41-13SST	316SS	316SS	brushed	brushed	non-locking

- ▶ assembly includes body nut, cam retaining screw, and seals (1 internal o-ring and a face gasket)
- ▶ cams sold separately. See pg. 103 for cams & grip dimension
- ▶ intended for NEMA type 12 enclosure requirements; NEMA 4, 4X for stainless steel, non-locking part
- ▶ locking version includes (2) ringed keys



### Locking L-Handle Quarter-turn Latches

Part Number	Key Code	L-Handle & Housing	
		Material	Finish
41-11	K14	die cast zinc	chrome
41-1101	K16	die cast zinc	chrome
41-11BK	333	die cast zinc	black powder coated
41-11SST	333	316SS	brushed
41-15	non-locking	die cast zinc	chrome
41-15BK	non-locking	die cast zinc	black powder coated
41-15SST	non-locking	316SS	brushed

- ▶ includes body nut, cam retaining screw, and seals: (2) internal o-rings and a face gasket
- ▶ includes (2) ringed keys and stainless steel lock face and dust shutter
- ▶ intended for NEMA type 12 enclosure requirements; NEMA 4, 4X for stainless steel, non-locking part
- ▶ cams sold separately. See pg. 103 for cams & grip dimension

