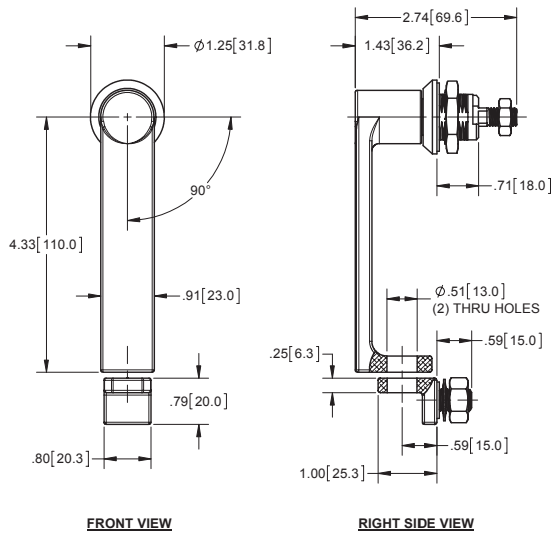


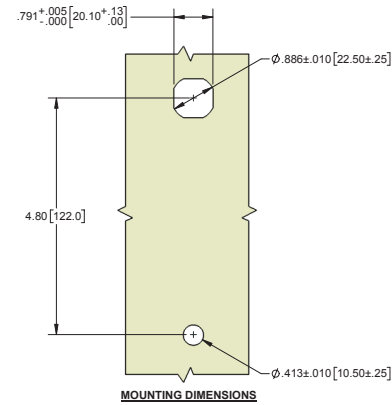
Padlocking Quarter-turn Handle

NEMA 12



Part Number	L-Handle & Housing	
	Material	Finish
41-14BK	aluminum handle & keeper	matte black powder coated

- ▶ includes body nut, cam retaining screw, two lock washers, and seals (internal o-ring and two face gaskets)
- ▶ intended for NEMA type 12 enclosure requirements
- ▶ cams sold separately. See page 103 for cams & grip dimension



Padlocking Quarter-turn L-Handle Latches

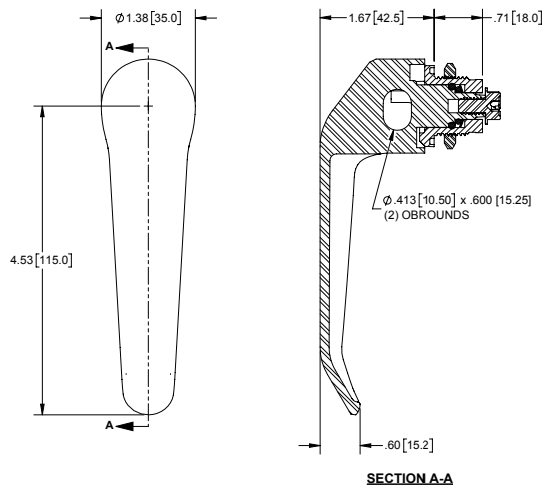
NEMA 4

NEMA 4x

NEMA 12

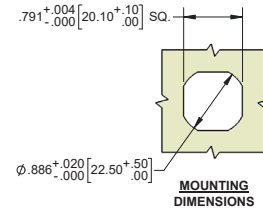
IP65 RATED

316SS



Part Number	Material	Finish
41-17	die cast zinc	chrome plated
41-17BK	die cast zinc	smooth, black powder coated
41-17SST	316SS	brushed

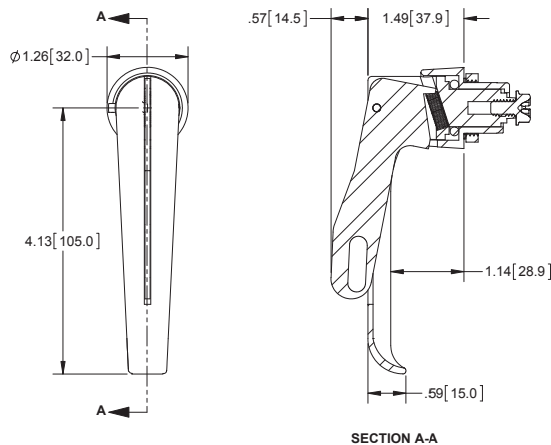
- ▶ accepts up to $\phi .375$ (3/8) padlock
- ▶ cams sold separately. See page 103 for cams & grip dimension
- ▶ intended for NEMA type 12 enclosure requirements; NEMA 4, 4X for stainless steel part



L-Handle Quarter-turn Latches with 304SS Padlock Plate

NEMA 12

IP65 RATED



Part Number	Material	Finish
41-16	die cast zinc	chrome plated
41-16BK	die cast zinc	textured, black powder coated

- ▶ includes body nut, mounting screw and seals
- ▶ accepts up to $\phi .25$ (1/4) padlock
- ▶ cams sold separately. See page 103 for cams & grip dimension
- ▶ padlock plate is spring loaded

